

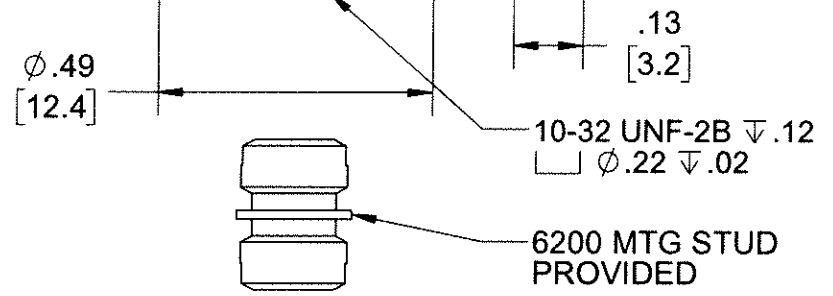
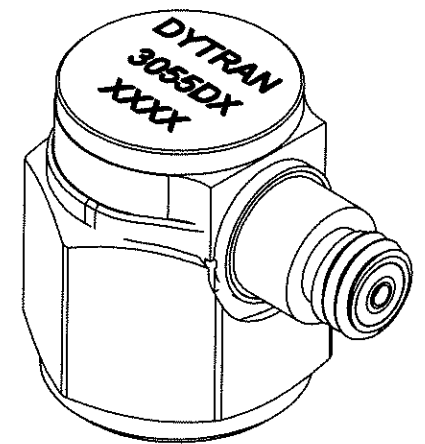
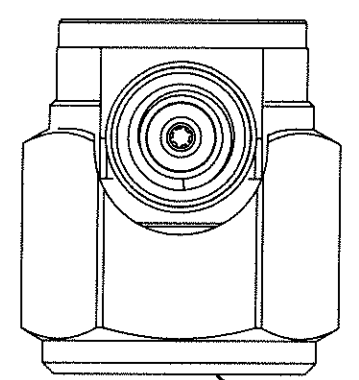
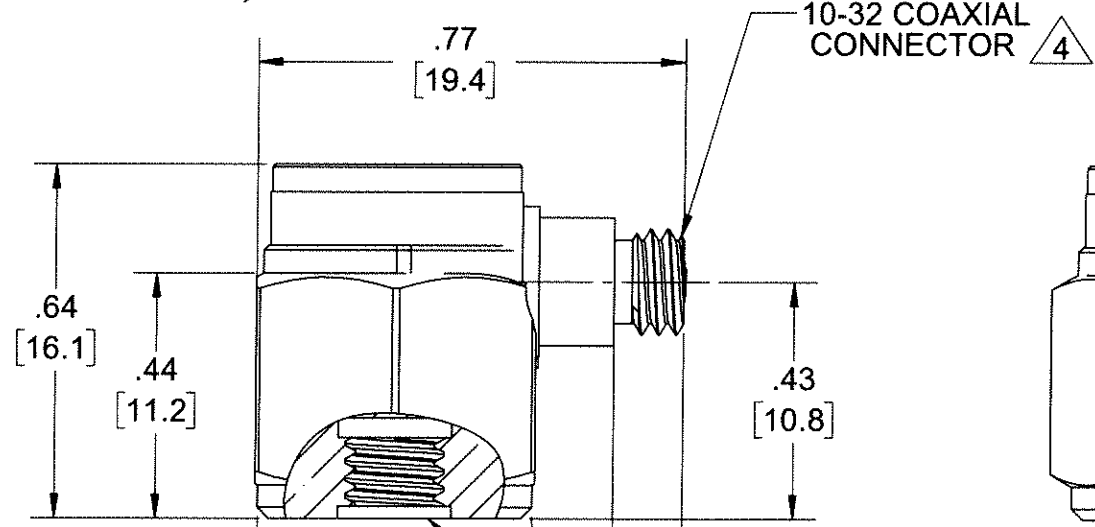
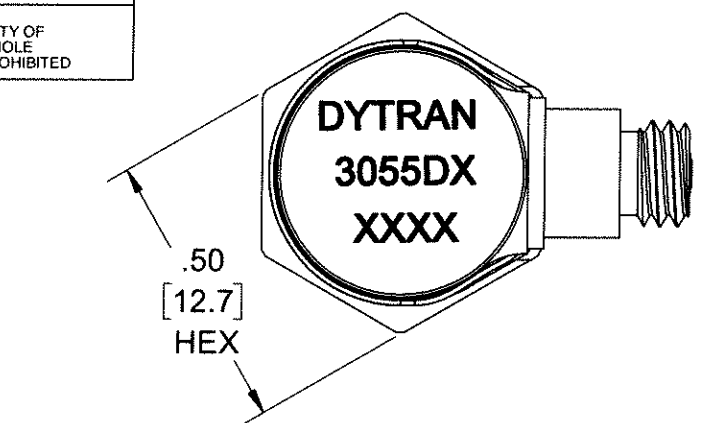
PROPRIETARY AND CONFIDENTIAL

THE INFORMATION CONTAINED IN THIS DRAWING IS THE SOLE PROPERTY OF DYTRAN INSTRUMENTS INC. ANY REPRODUCTION IN PART OR AS A WHOLE WITHOUT THE WRITTEN PERMISSION OF DYTRAN INSTRUMENTS INC. IS PROHIBITED

REVISIONS

REV.	ECN	DESCRIPTION	BY/DATE	CHK	APPR
A	11394	INITIAL RELEASE	RA, 11/05/14	EM	DV
B	14310	ZONE B3 10-32 UNF WAS: 10-32 UNC	RA, 06/28/18	MH	LN
C	14550	INITIAL RELEASE OF 3055D11 & 3055D12, SAME AS B1	DP 10/02/18	RA	LN

MODEL	SENSITIVITY
3055D1	10 mV/g
3055D2	100 mV/g
3055D3	500 mV/g
3055D4	50 mV/g
3055D5	20 mV/G
3055D6	200 mV/g
3055D11	1 mV/g
3055D12	5 mV/g



MOUNTING SURFACE HOLE PREPARATION:
 SELECT SURFACE FLAT TO .001 TIR
 TAP 10-32 UNF-2B X .200 MIN THD DEPTH

4 MATES WITH DYTRAN 6010AXX OR 6011AXX CABLE (XX=LENGTH IS FEET)

3. WEIGHT: 10 GRAMS, MAX.

2 ARROW INDICATES ACCELERATION DIRECTION FOR POSITIVE OUTPUT.

1. MATERIAL: TITANIUM ALLOY

NOTES: UNLESS OTHERWISE SPECIFIED

UNLESS OTHERWISE SPECIFIED: DIMENSIONS ARE IN INCHES.
 DECIMALS TOLERANCES ARE: ANGLES ±1°
 .XX ±.01
 .XXX ±.005

APPROVALS		DATE
DRAWN	RA	05/29/14
DESIGN	RA	01/23/14
CHK	EM	12/17/14
APP	DV	12/17/14

ALL MACHINED SURFACES. TOTAL RUNOUT WITHIN .005. BREAK SHARP EDGES .005 TO .010. MACHINED FILLET RADII .005 TO .015. WELDING SYMBOLS PER AWS A2.4. ABBREVIATIONS PER MIL-STD-12.

DYTRAN MASTER
 INSTRUMENTS, INC. Chatsworth, CA IN RED

TITLE: **OUTLINE/INSTALLATION, ACCEL, ISOLATED, 10 MV/G, SIDE 10-32 CONN**

SIZE B	CAGE CODE 2W033	DWG NO 127-3055D	REV C
SCALE: 3:1	PART NO:	SHEET 1 OF 1	

Model Number 3055D3	PERFORMANCE SPECIFICATIONS	DOC NO PS3055D3
-------------------------------	-----------------------------------	---------------------------

IEPE ACCELEROMETER

REV E, ECN 13042, 10/28/16



- HERMETICALLY SEALED
- BASE ISOLATED
- IDEAL LOW FREQUENCY RESPONSE

This family also includes:

Model	Sensitivity (mV/g)	Frequency Response (Hz)	Time Constant (Sec)	Operating Temp (*F)
3055D1	10	1 to 10000	0.5 to 1.5	-67 to +250
3055D2	100	1 to 10000	0.5 to 1.5	-67 to +250
3055D4	50	1 to 10000	0.5 to 1.5	-67 to +250
3055D5	20	1 to 10000	0.5 to 1.5	-67 to +250
3055D6	200	1 to 10000	0.5 to 1.5	-67 to +225

Refer to the performance specifications of the products in this family for detailed description

PHYSICAL

Weight
Connector Type
Mounting Provision Tapped Hole
Material, Housing/Connector
Sensing Element
Element Style

ENGLISH		SI	
0.35	oz	10	grams
10-32		10-32	
10-32 X .150 ↓		10-32 X .150 ↓	
Titanium		Titanium	
Ceramic		Ceramic	
Planar Shear		Planar Shear	

PERFORMANCE

Sensitivity, ± 5% [1]
Range for ± 5 Volts Output
Frequency Response, ± 5%
Frequency Response, ± 10%
Resonant Frequency
Broad Band Resolution
Spectral Noise
Linearity [2]
Maximum Transverse sensitivity
Strain Sensitivity @ 250µε

500	mV/g	51	mV/m/s ²
10	g	98	m/s ²
1 to 5000	Hz	1 to 5000	Hz
1 to 10000	Hz	1 to 10000	Hz
> 36	kHz	> 36	kHz
0.00015	Grms	0.001	m/s ² rms
6.8	µGrms/v(Hz)	67	µm/s ² rms/v(Hz)
5.5	µGrms/v(Hz)	54	µm/s ² rms/v(Hz)
2.5	µGrms/v(Hz)	25	µm/s ² rms/v(Hz)
1.2	µGrms/v(Hz)	12	µm/s ² rms/v(Hz)
±1	% F.S.	±1	% F.S.
5	%	5	%
0.002	g/µε	0.02	m/s ² /µε

ENVIRONMENTAL

Maximum Vibration
Maximum Shock
Temperature Range (<3% Sensitivity Deviation)
Temperature Range
Temperature Range (Storage)
Seal

200	Gpeak	1962	m/s ² peak
5000	Gpeak	49050	m/s ² peak
+50 to +100	*F	+10 to +38	*C
-67 to +225	*F	-55 to 107	*C
-67 to +250	*F	-55 to 121	*C
Hermetic		Hermetic	

ELECTRICAL

Supply Current Range [3]
Compliance Voltage Range
Output Impedence, Typ
Bias Voltage
Discharge Time Constant
Electrical Isolation

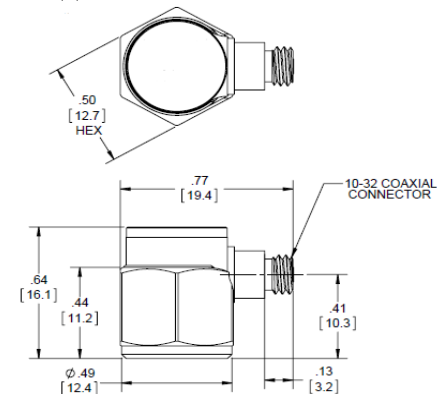
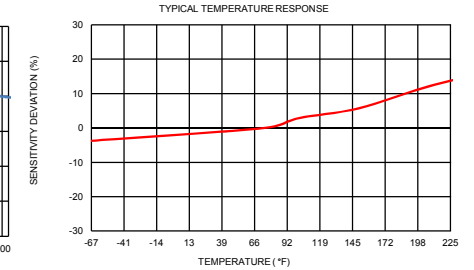
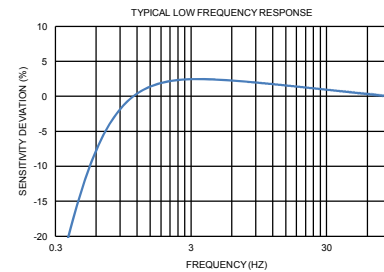
2 to 20	mA	2 to 20	mA
18 to +30	Volts	18 to +30	Volts
100	Ω	100	Ω
11 to 13	VDC	11 to 13	VDC
0.5 to 1.5	Sec	0.5 to 1.5	Sec
10	GΩ,min	10	GΩ,min

Supplied Accessories:

- 1) Accredited calibration certificate (ISO 17025)
- 2) Model 6200 mounting stud, qty 1

Notes:

- [1] Measured at 100Hz, 1 Grms per ISA RP 37.2.
- [2] Measure using zero-based straight line method, % of F.S. or any lesser range.
- [3] Do not apply power to this system without current limiting, 20 mA MAX. To do so will destroy the IC charge amplifier.
- [4] In the interest of constant product improvement, we reserve the right to change specifications without notice.



Units on the line drawing are in inches, units in brackets are in millimeters. Refer to 127-3055D for more information.



21592 Marilla Street, Chatsworth, California 91311 Phone: 818.700.7818 Fax:818.700.7880 www.dytran.com
For permission to reprint this content, please contact info@dytran.com