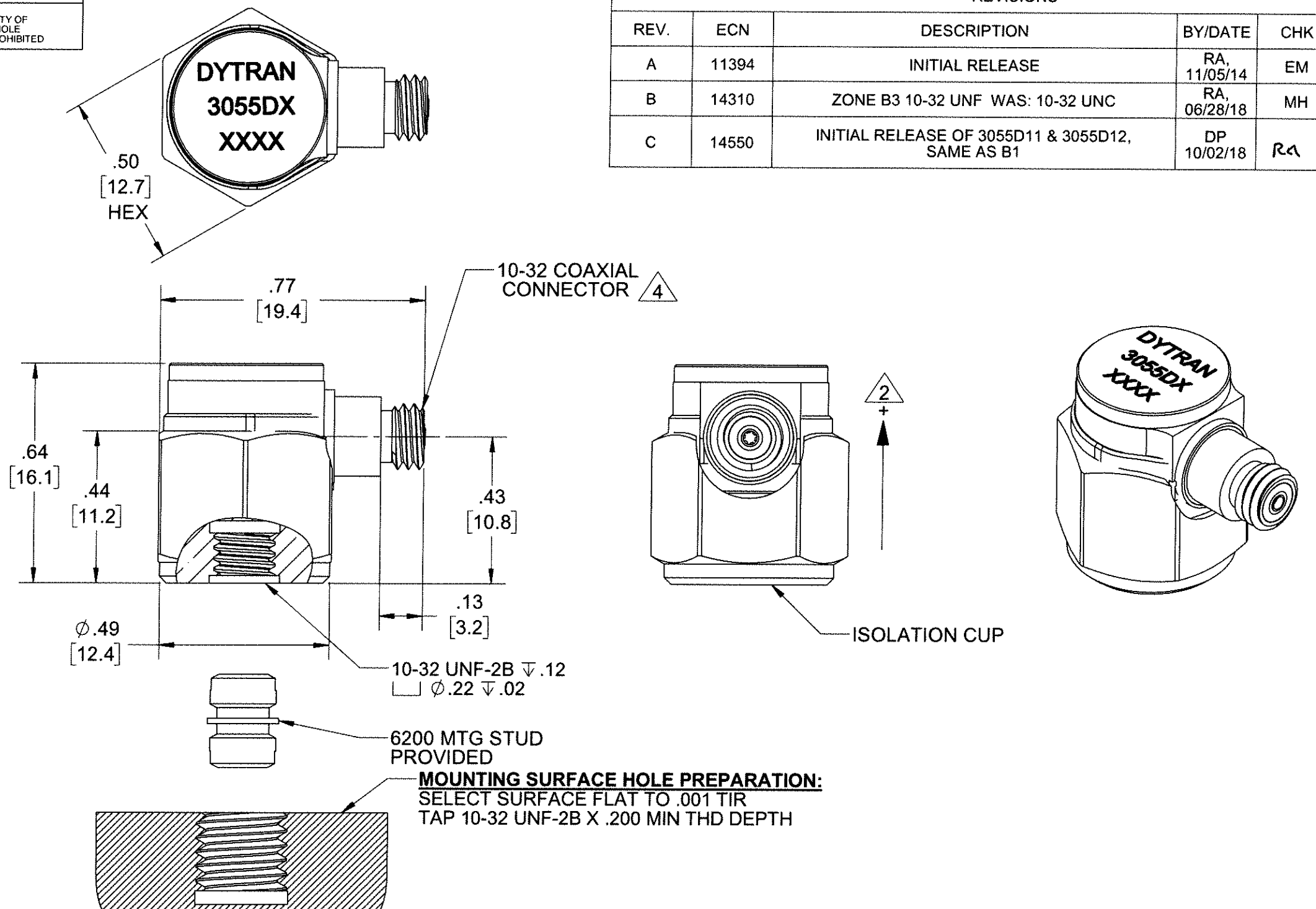


PROPRIETARY AND CONFIDENTIAL

THE INFORMATION CONTAINED IN THIS DRAWING IS THE SOLE PROPERTY OF DYTRAN INSTRUMENTS INC. ANY REPRODUCTION IN PART OR AS A WHOLE WITHOUT THE WRITTEN PERMISSION OF DYTRAN INSTRUMENTS INC. IS PROHIBITED

| MODEL | SENSITIVITY |
|---------|-------------|
| 3055D1 | 10 mV/g |
| 3055D2 | 100 mV/g |
| 3055D3 | 500 mV/g |
| 3055D4 | 50 mV/g |
| 3055D5 | 20 mV/G |
| 3055D6 | 200 mV/g |
| 3055D11 | 1 mV/g |
| 3055D12 | 5 mV/g |

| REVISIONS | | | | | |
|-----------|-------|--|--------------|-----|------|
| REV. | ECN | DESCRIPTION | BY/DATE | CHK | APPR |
| A | 11394 | INITIAL RELEASE | RA, 11/05/14 | EM | DV |
| B | 14310 | ZONE B3 10-32 UNF WAS: 10-32 UNC | RA, 06/28/18 | MH | LN |
| C | 14550 | INITIAL RELEASE OF 3055D11 & 3055D12, SAME AS B1 | DP 10/02/18 | RA | LN |



4 MATES WITH DYTRAN 6010AXX OR 6011AXX CABLE (XX=LENGTH IS FEET)

3. WEIGHT: 10 GRAMS, MAX.

2 ARROW INDICATES ACCELERATION DIRECTION FOR POSITIVE OUTPUT.

1. MATERIAL: TITANIUM ALLOY

NOTES: UNLESS OTHERWISE SPECIFIED

UNLESS OTHERWISE SPECIFIED: INTERPRET DIM & TOL PER ASME Y14.5M - 1994. REMOVE BURRS. COUNTERSINK INTERNAL THDS 90° TO MAJOR DIA. CHAM EXT THDS 45° TO MINOR DIA. THD LENGTHS AND DEPTHS ARE FOR MIN FULL THDS. DIMENSIONS APPLY AFTER FINISHING.

ALL MACHINED SURFACES. TOTAL RUNOUT WITHIN .005. BREAK SHARP EDGES .005 TO .010. MACHINED FILLET RADII .005 TO .015. WELDING SYMBOLS PER AWS A2.4. ABBREVIATIONS PER MIL-STD-12.

UNLESS OTHERWISE SPECIFIED: DIMENSIONS ARE IN INCHES. TOLERANCES ARE: DECIMALS .XX ± .01 .XXX ± .005 ANGLES ± 1°

| APPROVALS | | DATE |
|-----------|----|----------|
| DRAWN | RA | 05/29/14 |
| DESIGN | RA | 01/23/14 |
| CHK | EM | 12/17/14 |
| APP | DV | 12/17/14 |

DO NOT SCALE DRAWING

THIRD ANGLE PROJECTION

DYTRAN MASTER
INSTRUMENTS, INC. Chatsworth, CA IN RED

TITLE: **OUTLINE/INSTALLATION, ACCEL, ISOLATED, 10 MV/G, SIDE 10-32 CONN**

| | | | |
|---------------|------------------------|-------------------------|--------------|
| SIZE B | CAGE CODE 2W033 | DWG NO 127-3055D | REV C |
| SCALE: 3:1 | PART NO: | SHEET 1 OF 1 | |



- HERMETICALLY SEALED
- BASE ISOLATED
- IDEAL LOW FREQUENCY RESPONSE

| ENGLISH | | SI | |
|-----------------------------|----------------|----------------|-------|
| Weight | 0.35 oz | 10 | grams |
| Connector Type | 10-32 | 10-32 | |
| Mounting Provision | 10-32 X .150 ↓ | 10-32 X .150 ↓ | |
| Material, Housing/Connector | Titanium | Titanium | |
| Sensing Element | Ceramic | Ceramic | |
| Element Style | Planar Shear | Planar Shear | |

PHYSICAL
 Weight
 Connector Type
 Mounting Provision Tapped Hole
 Material, Housing/Connector
 Sensing Element
 Element Style

PERFORMANCE
 Sensitivity, ± 5% [1]
 Range for ± 5 Volts Output
 Frequency Response, ± 5%
 Frequency Response, ± 10%
 Resonant Frequency
 Broad Band Resolution
 Spectral Noise
 1Hz
 10Hz
 100Hz
 1000Hz
 10000Hz
 Linearity [2]
 Maximum Transverse sensitivity
 Strain Sensitivity @ 250µε

| | | |
|--------------------------------|-------------------------|----------------------------------|
| Sensitivity, ± 5% [1] | 10 mV/g | 1 mV/m/s ² |
| Range for ± 5 Volts Output | 500 g | 4905 m/s ² |
| Frequency Response, ± 5% | 1 to 5000 Hz | 1 to 5000 Hz |
| Frequency Response, ± 10% | 1 to 10000 Hz | 1 to 10000 Hz |
| Resonant Frequency | > 36 kHz | > 36 kHz |
| Broad Band Resolution | 0.0030 Grms | 0.029 m/s ² rms |
| Spectral Noise | 1Hz: 340 µGrms/v(Hz) | 3335 m/s ² rms/v(Hz) |
| | 10Hz: 130 µGrms/v(Hz) | 1275 m/s ² rms/v(Hz) |
| | 100Hz: 36 µGrms/v(Hz) | 353 m/s ² rms/v(Hz) |
| | 1000Hz: 21 µGrms/v(Hz) | 206 m/s ² rms/v(Hz) |
| | 10000Hz: 12 µGrms/v(Hz) | 117.7 m/s ² rms/v(Hz) |
| Linearity [2] | ± 1 % F.S. | ± 1 % F.S. |
| Maximum Transverse sensitivity | 5 % | 5 % |
| Strain Sensitivity @ 250µε | 0.002 g/µε | 0.02 m/s ² /µε |

ENVIRONMENTAL
 Maximum Vibration
 Maximum Shock
 Temperature Range (<3% Sensitivity Deviation)
 Temperature Range
 Seal

| | | |
|---|----------------|-----------------------------|
| Maximum Vibration | 600 Gpeak | 5886 m/s ² peak |
| Maximum Shock | 5000 Gpeak | 49050 m/s ² peak |
| Temperature Range (<3% Sensitivity Deviation) | +50 to +100 °F | 10 to 38 °C |
| Temperature Range | -67 to +250 °F | -55 to 121 °C |
| Seal | Hermetic | Hermetic |

ELECTRICAL
 Supply Current Range [3]
 Compliance Voltage Range
 Output Impedance, Typ
 Bias Voltage
 Discharge Time Constant
 Electrical Isolation

| | | |
|--------------------------|-----------------|-----------------|
| Supply Current Range [3] | 2 to 20 mA | 2 to 20 mA |
| Compliance Voltage Range | 18 to +30 Volts | 18 to +30 Volts |
| Output Impedance, Typ | 100 Ω | 100 Ω |
| Bias Voltage | 11 to 13 VDC | 11 to 13 VDC |
| Discharge Time Constant | 0.5 to 1.5 Sec | 0.5 to 1.5 Sec |
| Electrical Isolation | 10 GΩ, min | 10 GΩ, min |

This family also includes:

| Model | Sensitivity (mV/g) | Frequency Response (Hz) | Time Constant (Sec) | Operating Temp (°F) |
|--------|--------------------|-------------------------|---------------------|---------------------|
| 3055D2 | 100 | 1 to 10000 | 0.5 to 1.5 | -67 to +250 |
| 3055D3 | 500 | 1 to 10000 | 0.5 to 1.5 | -67 to +225 |
| 3055D4 | 50 | 1 to 10000 | 0.5 to 1.5 | -67 to +250 |
| 3055D5 | 20 | 1 to 10000 | 0.5 to 1.5 | -67 to +250 |
| 3055D6 | 200 | 1 to 10000 | 0.5 to 1.5 | -67 to +225 |

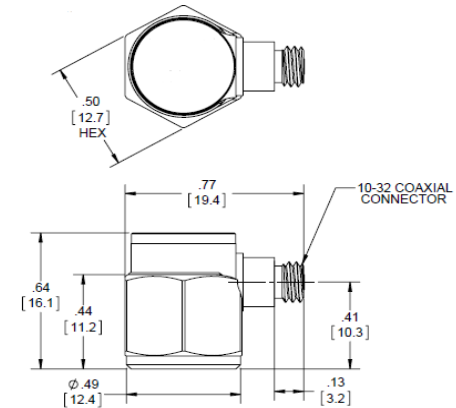
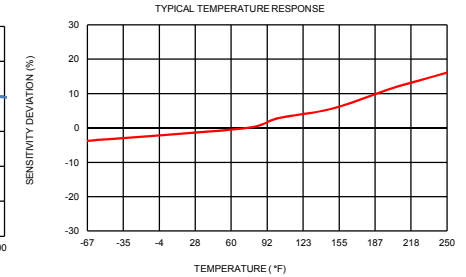
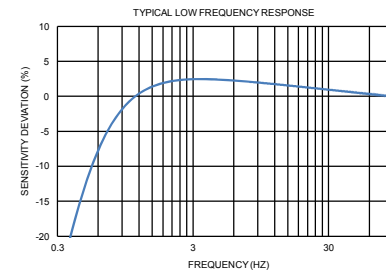
Refer to the performance specifications of the products in this family for detailed description

Supplied Accessories:

- 1) Accredited calibration certificate (ISO 17025)
- 2) Model 6200 mounting stud, qty 1

Notes:

- [1] Measured at 100Hz, 1 Grms per ISA RP 37.2.
- [2] Measure using zero-based straight line method, % of F.S. or any lesser range.
- [3] Do not apply power to this system without current limiting, 20 mA MAX. To do so will destroy the IC charge amplifier.
- [4] In the interest of constant product improvement, we reserve the right to change specifications without notice.



Units on the line drawing are in inches, units in brackets are in millimeters. Refer to 127-3055D for more information.

