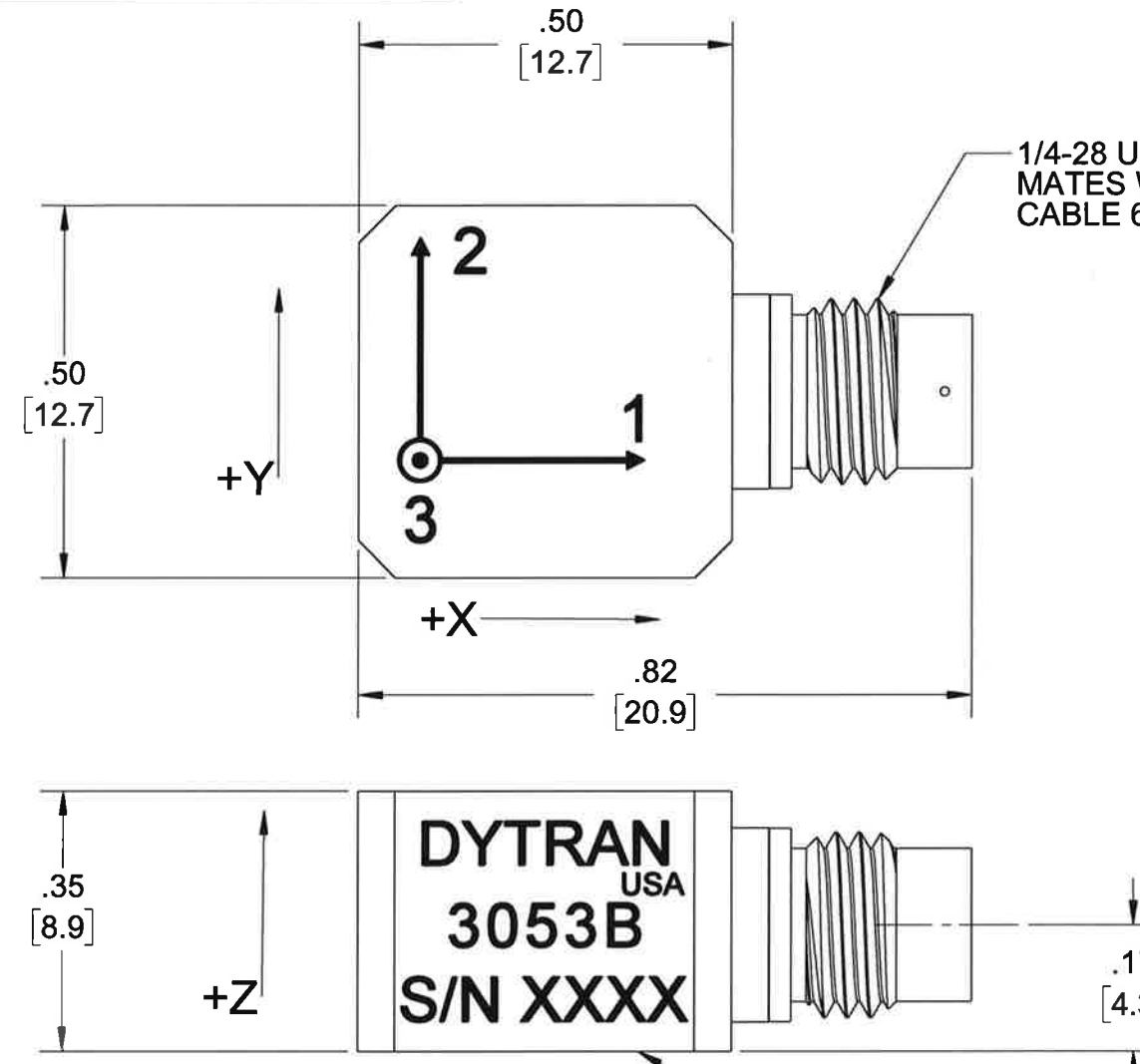


PROPRIETARY AND CONFIDENTIAL

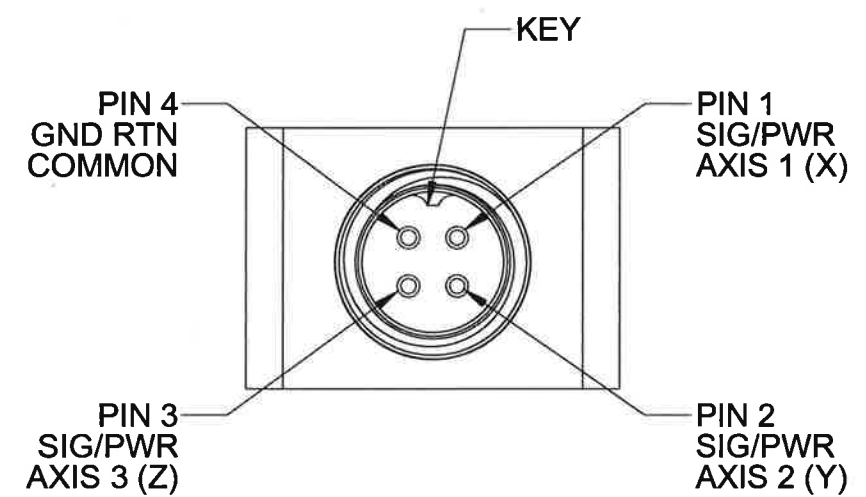
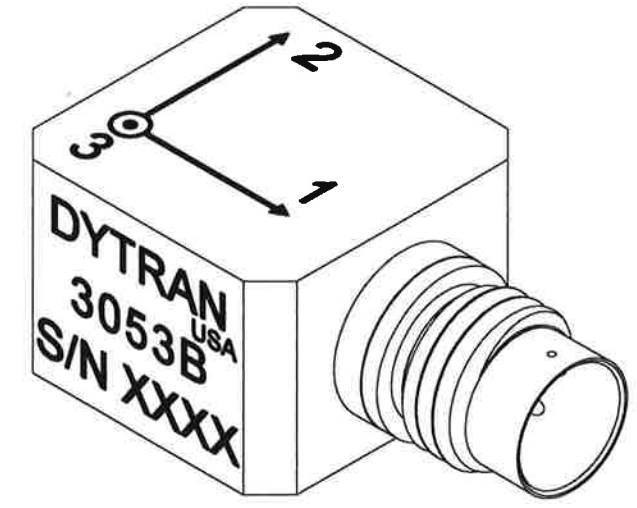
THE INFORMATION CONTAINED IN THIS DRAWING IS THE SOLE PROPERTY OF DYTRAN INSTRUMENTS INC. ANY REPRODUCTION IN PART OR AS A WHOLE WITHOUT THE WRITTEN PERMISSION OF DYTRAN INSTRUMENTS INC. IS PROHIBITED

REVISIONS

REV.	ECN	DESCRIPTION	BY/DATE	CHK	APPR
C	13121	REDRAWN IN SOLIDWORKS	LA 11/22/16	SP	W



1/4-28 UNF-2A CONNECTOR
MATES WITH DYTRAN
CABLE 6430AXX



- 6. MINOR VOIDS, SCARS, SCRATCHES AND MOUNTING BLEMISH / WITNESS MARKS ON EXTERNAL SURFACES ARE ALLOWED DUE TO RESTRAINING AND HANDLING DURING TESTING, TRANSPORT OR PROCESSING. THESE APPEAR AS INDICATORS THAT DO NOT AFFECT FORM, FIT, OR FUNCTION AS INTENDED BY DESIGN OF APPLICATION.
- 5. OPERATING TEMPERATURE -60°F (-51°C) TO 250°F (121°C).
- 4. ARROWS INDICATE DIRECTION OF ACCELERATION FOR POSITIVE OUTPUT.
- 3. FOR BEST FREQUENCY RESPONSE, PREPARE A FLAT MOUNTING SURFACE OF AT LEAST $\phi .75$, FLAT TO $.0001$ TIR. APPLY ONE DROP OF CYANOACRYLATE ADHESIVE TO MOUNT THE ACCELEROMETER.
- 2. WEIGHT: 6.2 GRAMS MAX.
- 1. MATERIAL: TITANIUM ALLOY.

NOTES: UNLESS OTHERWISE SPECIFIED

UNLESS OTHERWISE SPECIFIED:
INTERPRET DIM & TOL PER ASME Y14.5M - 1994.
REMOVE BURRS.
COUNTERSINK INTERNAL THDS 90° TO MAJOR DIA.
CHAM EXT THDS 45° TO MINOR DIA.
THD LENGTHS AND DEPTHS ARE FOR MIN FULL THDS.
DIMENSIONS APPLY AFTER FINISHING.

ALL MACHINED SURFACES. ⁶³
TOTAL RUNOUT WITHIN .005.
BREAK SHARP EDGES .005 TO .010.
MACHINED FILLET RADII .005 TO .015.
WELDING SYMBOLS PER AWS A2.4.
ABBREVIATIONS PER MIL-STD-12.

DECIMALS	METRIC	ANGLES
.XX ±.03	X ± 0.8	± 1°
.XXX ±.010	.XX ± 0.25	

APPROVALS		DATE
ORIG	NC	08/11/00
CHK	RA	08/11/00
APP	NC	08/11/00

DO NOT SCALE DRAWING

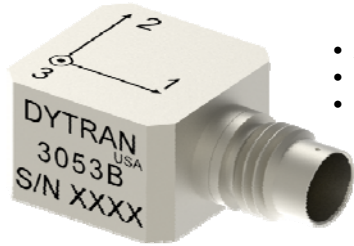
THIRD ANGLE PROJECTION
USA



TITLE: **OUTLINE/INSTALLATION DRAWING, MODEL 3053B**

SIZE B	CAGE CODE 2W033	DWG NO 127-3053B	REV C
SCALE: 4:1		SHEET 1 OF 1	

MODEL NUMBER 3053B	PERFORMANCE SPECIFICATION	DOC NO. PS3053B
TRIAxIAL ACCELEROMETER, IEPE		REV C, ECN 13266, 02/10/2017



- **ADHESIVE MOUNT**
- **HERMETICALLY SEALED**
- **INTERNALLY CASE GROUND ISOLATED**

PHYSICAL

Weight
Mounting Provision [1]
Connector [2]
Material

ENGLISH		SI	
0.22	oz	6.2	grams
Adhesive mount		Adhesive mount	
4-Pin		4-Pin	
Titanium Alloy		Titanium Alloy	

PERFORMANCE

Sensitivity, -10/+15% [3]
Range F.S. (each axis)
Frequency Response, ± 10%
Resonant Frequency
Broadband Resolution
Linearity [4]
Transverse Sensitivity, Max.
Signal Polarity

10	mV/g	1.02	mV/ m/s ²
± 500	g	± 4900	m/s ²
2 to 5000	Hz	2 to 5000	Hz
>30	kHz	>30	kHz
<0.007	g rms	<0.07	m/s ² rms
± 1	%F.S	± 1	%F.S
5%		5%	
Positive for motion in direction of arrows on housing			

ENVIRONMENTAL

Maximum Vibration
Maximum Shock
Temperature Range
Seal
Coefficient Of Thermal Sensitivity

± 600	g	± 5880	m/s ² pk
±5000	gpk	±49000	m/s ² pk
-60 to +250	°F	-51 to 121	°C
Hermetic		Hermetic	
0.03	%/°F	0.054	%/°C

ELECTRICAL

Supply Current [5]
Compliance Voltage Range
Output Impedance Typ.
Bias Voltage
Discharge Time Constant
Ground Isolation

2 to 20	mA	2 to 20	mA
+18 to +30	V	+18 to +30	V
100	Ω	100	Ω
9 to 11	VDC	9 to 11	VDC
0.3 to 1.0	sec	0.3 to 1.0	sec
>10	MΩ	>10	MΩ

This family also includes:

Model	Mount	Sensitivity (mV/g)	Range (Gpeak)	Resolution (Grms)	Oper. Temp(°F)	TC (sec)
3053B1	Adhesive	5	1000	<0.014	-60 to +250	0.2 - 1.2
3053B2	Stud	10	500	<0.007	-60 to +250	0.3 - 1.0

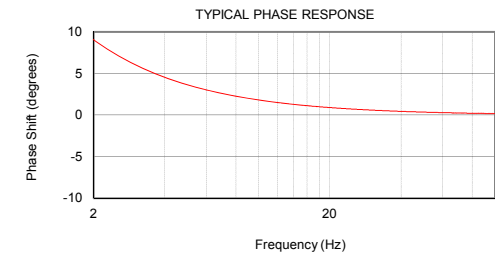
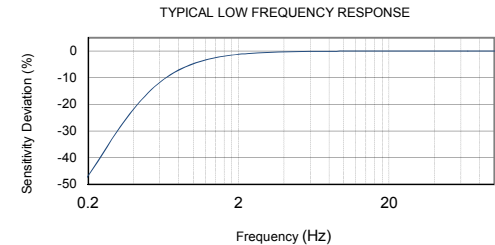
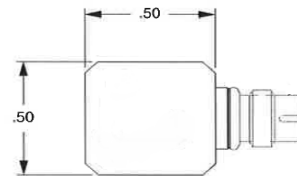
Refer to the performance specifications of the products in this family for detailed description.

Supplied Accessories

- 1) Accredited calibration certificate (ISO 17025)

Notes:

- [1] Case ground isolation is achieved by internal means.
[2] Connector mates with Dytran cable assy. Model 6430AXX. (XX = length in feet)
[3] Reference sensitivity measured at 100 Hz, 1 G RMS per ISA RP 37.2
[4] Linearity is % of specified full scale (or any lesser full scale range), zero-based best fit straight line method.
[5] Do not apply power to this device without current limiting, 20mA max, to do so will destroy the integral IC amplifier



Units on the line drawing are in inches, units in brackets are in millimeters. Refer to 127-3053B for more information.



21592 Marilla Street, Chatsworth, California 91311 Phone: 818.700.7818 Fax:818.700.7880 www.dytran.com
For permission to reprint this content, please contact info@dytran.com