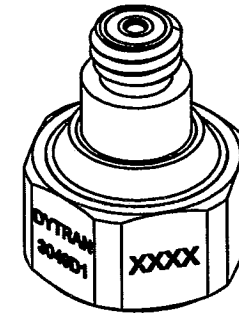
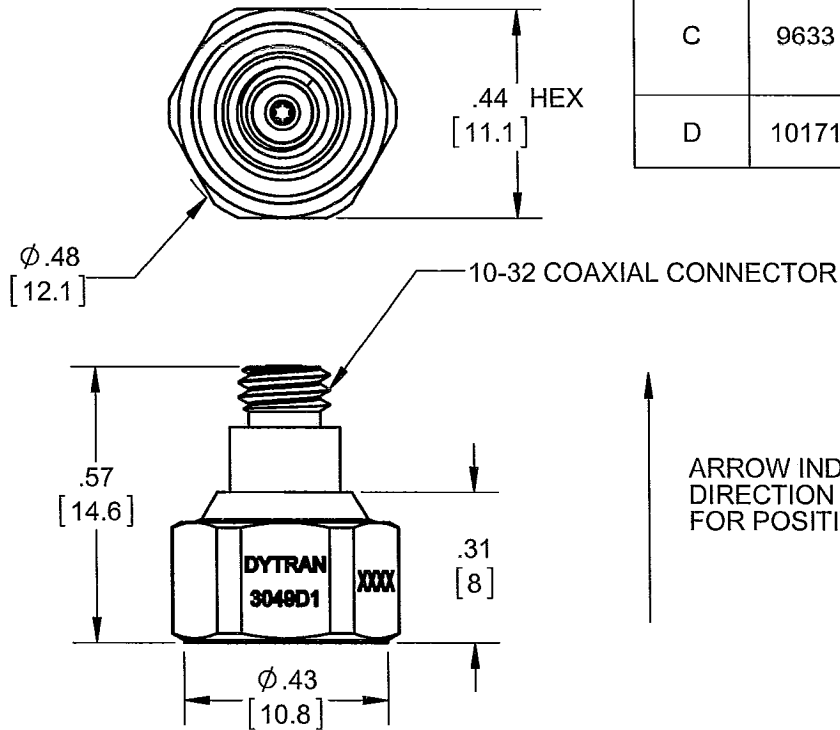


PROPRIETARY AND CONFIDENTIAL

THE INFORMATION CONTAINED IN THIS DRAWING IS THE SOLE PROPERTY OF DYTRAN INSTRUMENTS INC. ANY REPRODUCTION IN PART OR AS A WHOLE WITHOUT THE WRITTEN PERMISSION OF DYTRAN INSTRUMENTS INC. IS PROHIBITED

REVISIONS

REV	ECN	DESCRIPTION	BY/DATE	CHK	APPR
B	9307	REVISED TO REFLECT NEW HOUSING. NOTE 3: IS :WEIGHT 3.8 GRAMS NOM. WAS: 2.7 GRAMS NOM.	LN 11/02/12	JS	AS
C	9633	NOTE 1: IS :5.0 pC/g NOM. WAS: 5.6 GRAMS NOM. NOTE 2: IS : 1500pF NOM. WAS: 650pF NOM.	LN 02/18/13	RT	AS
D	10171	NOTE 3: IS: 3.5 GRAMS MAX, WAS: 3.8 GRAMS NOM.	LN 07/10/13	<i>AS</i>	<i>AS</i>



ARROW INDICATES
DIRECTION OF ACCELERATION
FOR POSITIVE CHARGE OUTPUT

- 3. WEIGHT: 3.5 GRAMS, MAX.
- 2. CAPACITANCE: 1500pF NOM.
- 1. SENSITIVITY: 5.0 pC/g NOM.

UNLESS OTHERWISE SPECIFIED: INTERPRET DIM & TOL PER ASME Y14.5M - 1994. REMOVE BURRS. COUNTERSINK INTERNAL THDS 90° TO MAJOR DIA. CHAM EXT THDS 45° TO MINOR DIA. THD LENGTHS AND DEPTHS ARE FOR MIN FULL THDS. THDS PER MIL-S-7742. DIMENSIONS APPLY AFTER FINISHING.	
USED ON	NEXT ASSY
APPLICATION	
THIRD ANGLE PROJECTION USA	
ALL MACHINED SURFACES $\sqrt{63}$ TOTAL RUNOUT WITHIN .005. BREAK SHARP EDGES .005 TO .010. MACHINED FILLET RADII .005 TO .015. WELDING SYMBOLS PER AWS A2.4. ABBREVIATIONS PER MIL-STD-12.	

UNLESS OTHERWISE SPECIFIED: DIMENSIONS ARE IN INCHES. DIMENSIONS IN BRACKETS [] ARE IN MILLIMETERS TOLERANCES ARE: INCHES METRIC ANGLES .XX ± .03 X ± 0.8 ± 1° .XXX ± .010 .XX ± 0.25		
MATERIAL		
FINISH		
DO NOT SCALE DRAWING		

CONTRACT NO.		
APPROVALS		DATE
ORIG	PML	12/17/05
CHK	RT	02/19/13
APP	PML	06/08/06
APP		

Chatsworth, CA

TITLE: **OUTLINE/INSTALLATION
DRAWING, MODEL 3049D1**

SIZE A	CAGE CODE 2W033	DWG. NO. 127-3049D1	REV D
SCALE: NONE		SOLIDWORKS	SHEET 1 OF 1



- CHARGE MODE
- HERMETICALLY SEALED
- LOW-OUTGASSING
- BASE ISOLATED

PHYSICAL

Weight, Max.
 Connector, Top Mounted
 Mounting Provision
 Material (Base, Cap, Connector)
 Sensing Element

	ENGLISH		SI	
Weight, Max.	0.12	oz	3.5	grams
Connector, Top Mounted	10-32 Coaxial		10-32 Coaxial	
Mounting Provision	Adhesive		Adhesive	
Material (Base, Cap, Connector)	Titanium Alloy		Titanium Alloy	
Sensing Element	Ceramic	Material	Ceramic	
	Shear	Mode	Shear	

PERFORMANCE

Sensitivity, ±15% [1]
 Acceleration Range F.S.
 Frequency Response, ± 5%
 Resonant Frequency
 Linearity, [2]
 Maximum Transverse Sensitivity
 Strain Sensitivity @ 250µε

Sensitivity, ±15% [1]	5.0	pC/g	0.5	pC/m/s ²
Acceleration Range F.S.	[3]	G _{peak}	[3]	m/s ² peak
Frequency Response, ± 5%	[4] to 8,000	Hz	[4] to 8,000	Hz
Resonant Frequency	> 40	kHz	> 40	kHz
Linearity, [2]	±1	% F.S.	±1	% F.S.
Maximum Transverse Sensitivity	5	%	5	%
Strain Sensitivity @ 250µε	0.03	g/µε	0.29	m/s ² /µε

ENVIRONMENTAL

Maximum Vibration
 Maximum Shock
 Temperature Range
 Coefficient of Thermal Sensitivity
 Seal

Maximum Vibration	±1000	G _{peak}	±9810	m/s ² peak
Maximum Shock	±2000	G _{peak}	±19620	m/s ² peak
Temperature Range	-100 to +350	°F	-73 to +176	°C
Coefficient of Thermal Sensitivity	.06	%/°F	0.11	%/°C
Seal	Hermetic		Hermetic	

ELECTRICAL

Capacitance, nom.
 Output Signal Polarity for Acceleration Toward Top
 Case Grounding

Capacitance, nom.	1500	pF	1500	pF
Output Signal Polarity for Acceleration Toward Top	Positive		Positive	
Case Grounding	Base Isolated		Base Isolated	

This family also includes:

Model	Sensitivity (pC/g)	Frequency Response (Hz)	Time Constant (Sec)	Operating Temp (°F)

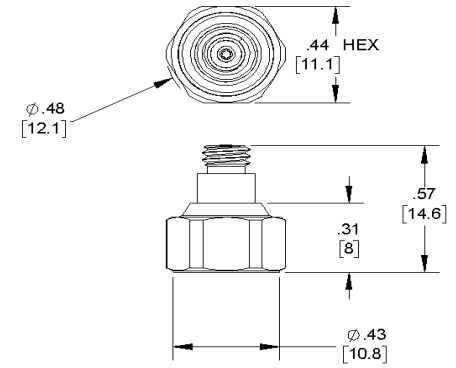
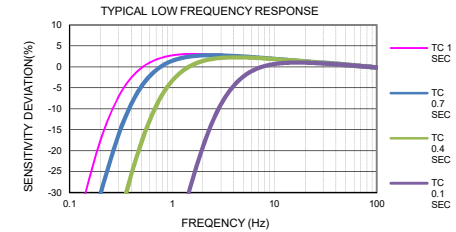
Refer to the performance specifications of the products in this family for detailed description

Supplied Accessories:

- 1) Accredited calibration certificate (ISO 17025)

Notes:

- [1] Measured at 100Hz, 1 Grms per ISA RP 37.2.
 - [2] Measured using zero-based straight line method, % of F.S. or any lesser range.
 - [3] Depends on the gain setting of the charge amplifier used
 - [4] Low frequency response is dependent upon the discharge time constant of the charge amplifier.
- Please, refer to the plot below for frequency response for different time constants.
- [5] In the interest of constant product improvement, we reserve the rights to change the specifications without notice. It is the customer's responsibility to validate that a particular product with the properties described in the product specification is suitable for use in a particular application. Parameters provided in datasheets and / or specifications may vary in different applications and performance may vary overtime. All operating parameters, including typical parameters, must be validated for each customer application by the customer's technical experts.



Units on the line drawing are in inches, units in brackets are in millimeters. Refer to 127-3049D1 for more information.



21592 Marilla Street, Chatsworth, California 91311 Phone: 818.700.7818 Fax: 818.700.7880 www.dytran.com
 For permission to reprint this content, please contact info@dytran.com