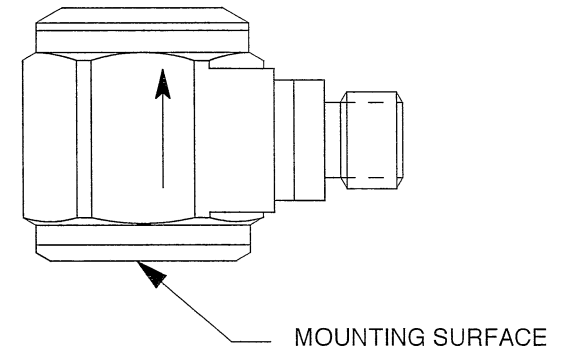
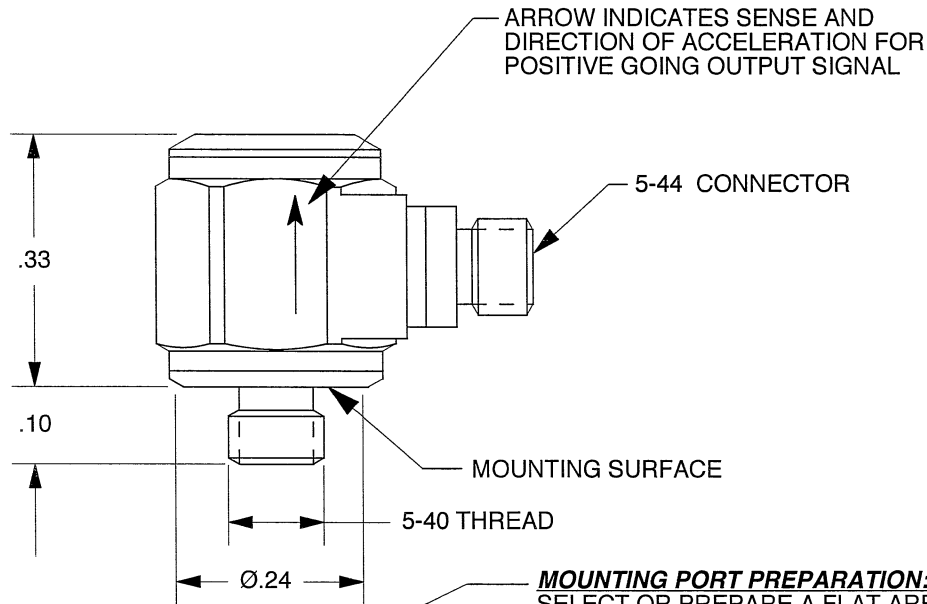
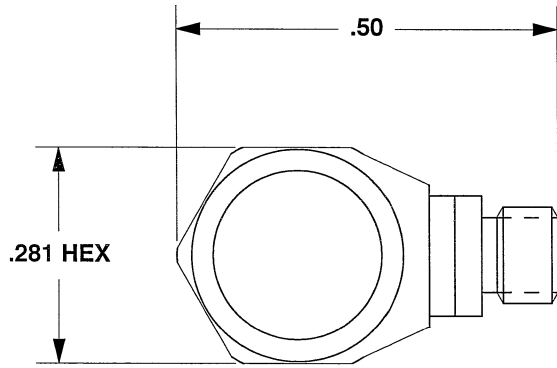
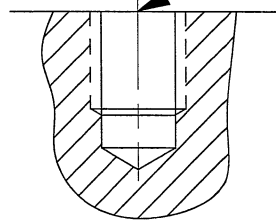


REV	ECN	DESCRIPTION	BY/DATE	CHK	APPR
A	7104	INITIAL RELEASE	JS 09/28/10	RA	DU



**MOUNTING PORT PREPARATION: 3035B3**  
 SELECT OR PREPARE A FLAT AREA OF AT LEAST Ø.250, FLAT TO .001 TIR.  
 AT THE CENTER, DRILL #38 (Ø.101) X .150 DEEP, MIN.  
 TAP 5-40 UNC-2B X .125 DEEP, MIN.

**MOUNTING SURFACE PREPARATION: 3035B3G**  
 SELECT OR PREPARE A FLAT AREA OF AT LEAST Ø.250, FLAT TO .001 TIR. CLEAN TO REMOVE CONTAMINANTS. APPLY ADHESIVE TO SURFACE OR TO ACCELEROMETER AND PRESS TOGETHER UNTIL ADHESIVE SETS.



2. MOUNTING TORQUE ON .281 HEX: 3 TO 4 LB.-IN.
1. WEIGHT: 2.5 GRAMS.

		<h1>MASTER ONLY IF IN RED</h1>		CHATSWORTH, CA.	
SCALE	4X	REV	DATE	ECN	SEE REV BLK
DATE	09/28/10	PART NO.	MODELS 3035B3, 3035B3G		
DRAWN	JS	CHECKED	MAT'L		
APPROVED			NEXT ASSEMBLY	USED ON	
TITLE				DWG NO.	
<b>OUTLINE/INSTALLATION DRAWING, MODELS 3035B3, &amp; 3035B3G LIVM ACCELEROMETERS</b>				<b>127-3035B3/G</b>	
SHEET 1 OF 1					

<b>Model Number</b> 3035B3	<b>PERFORMANCE SPECIFICATIONS</b>	<b>DOC NO</b> PS3035B3
<b>IEPE ACCELEROMETER</b>		REV C, ECN 11062, 12/15/15



- MINATURE SIZE
- HERMETICALLY SEALED
- STUD MOUNT

**PHYSICAL**

Weight, Max.  
Connector  
Mounting Provision  
Material, Housing/Connector  
Sensing Element  
Element Style

ENGLISH		SI
0.09	oz	2.5 grams
5-44 Coaxial		5-44 Coaxial
5-40 Integral Stud		5-40 Integral Stud
300 Series Stainless Steel		300 Series Stainless Steel
Ceramic		Ceramic
Shear		Shear

**PERFORMANCE**

Sensitivity, ±10% [1]  
Range for ± 5 Volts Output  
Frequency Response, ±10%  
Resonant Frequency  
Broad Band Resolution  
Linearity [2]  
Maximum Transverse sensitivity  
Strain Sensitivity @ 250µε

5	mV/g	0.5	mV/m/s <sup>2</sup>
±1000	g	±9807	m/s <sup>2</sup>
0.5 to 10000	Hz	0.5 to 10000	Hz
> 45	kHz	> 45	kHz
0.010	Grms	0.10	m/s <sup>2</sup> rms
±1	% F.S.	±1	% F.S.
5	%	5	%
0.002	g/µε	0.02	m/s <sup>2</sup> /µε

**ENVIRONMENTAL**

Maximum Vibration  
Maximum Shock  
Temperature Range  
Seal

600	Gpeak	5884	m/s <sup>2</sup> peak
10000	Gpeak	98067	m/s <sup>2</sup> peak
-60 to +250	°F	-51 to +121	°C
Hermetic		Hermetic	

**ELECTRICAL**

Supply Current Range [3]  
Compliance Voltage Range  
Output Impedance, Typ  
Bias Voltage  
Discharge Time Constant  
Electrical Isolation

2 to 20	mA	2 to 20	mA
18 to 30	Volts	18 to 30	Volts
100	Ω	100	Ω
11 to 13	VDC	11 to 13	VDC
0.8 to 2	Sec	0.8 to 2	Sec
Case Grounded	GΩ, min	Case Grounded	GΩ, min

**This family also includes:**

Model	Range F.S. (g)	Sensitivity (mV/g)	Time Constant (Sec)
3035B	± 50	100	0.8 to 2
3035B1	± 500	10	0.8 to 2
3035B2	± 100	50	0.8 to 2

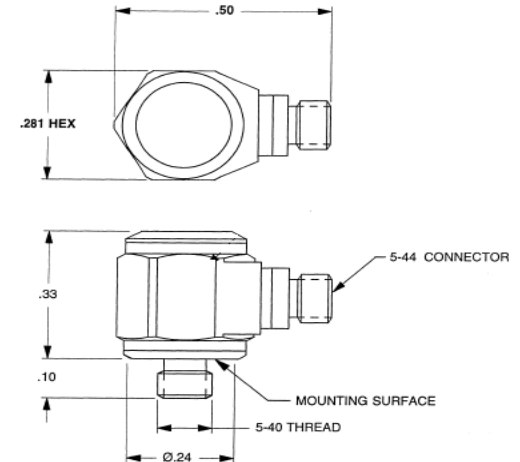
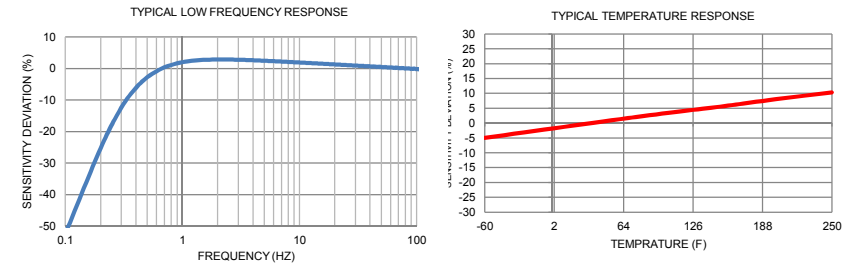
Refer to the performance specifications of the products in this family for detailed description

**Supplied Accessories:**

- 1) Accredited calibration certificate (ISO 17025)

**Notes:**

- [1] Measured at 100Hz, 1 Grms per ISA RP 37.2.
- [2] Measure using zero-based straight line method, % of F.S. or any lesser range.
- [3] Do not apply power to this system without current limiting, 20 mA MAX. To do so will destroy the IC charge amplifier.
- [4] In the interest of constant product improvement, we reserve the right to change specifications without notice.



Units on the line drawing are in inches, units in brackets are in millimeters. Refer to 127-3035B3/G for more information.



21592 Marilla Street, Chatsworth, California 91311 Phone: 818.700.7818 Fax: 818.700.7880 www.dytran.com  
For permission to reprint this content, please contact info@dytran.com