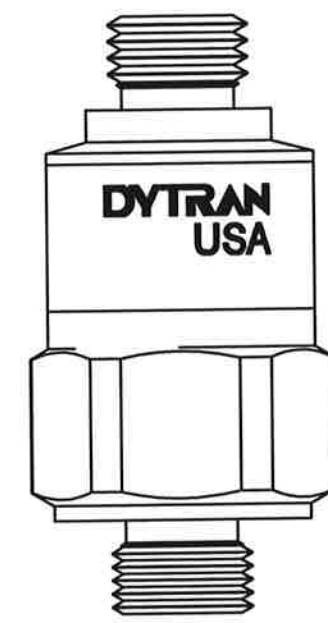
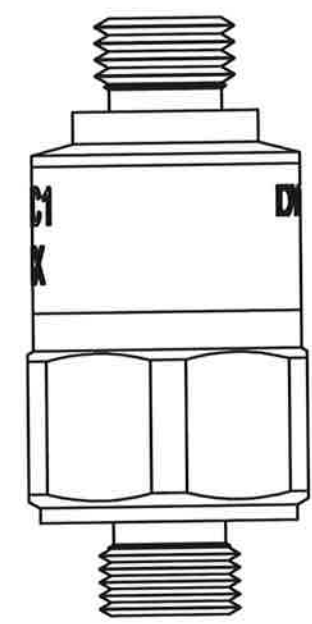
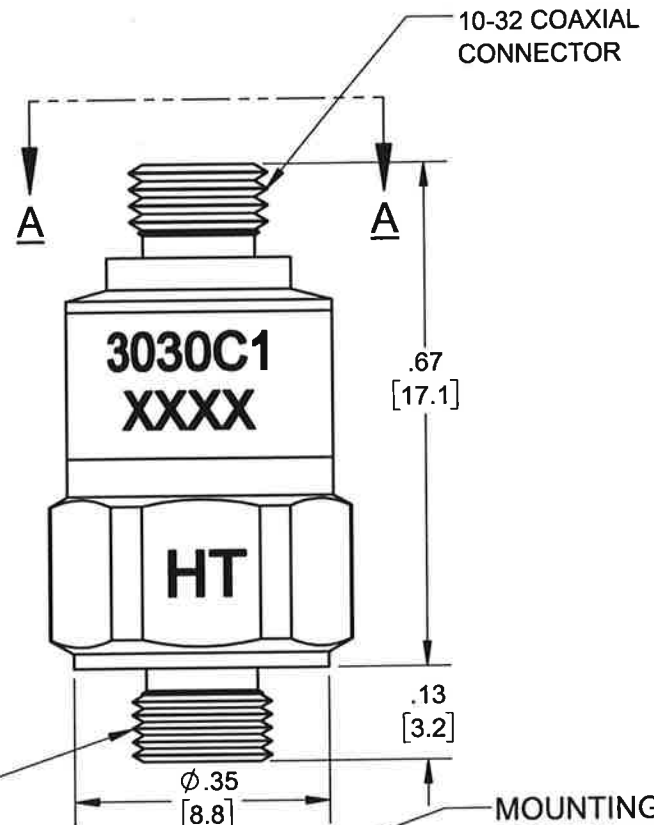
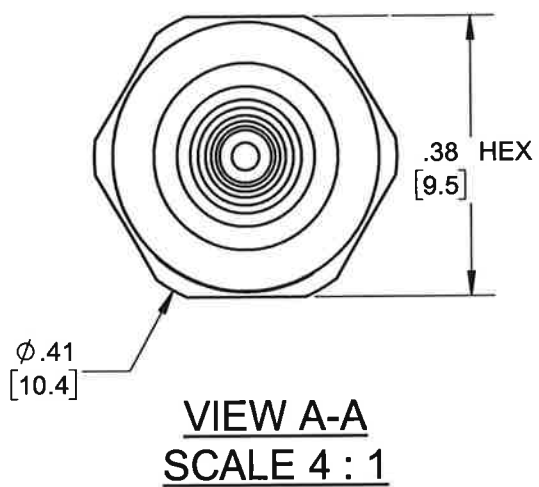


PROPRIETARY AND CONFIDENTIAL

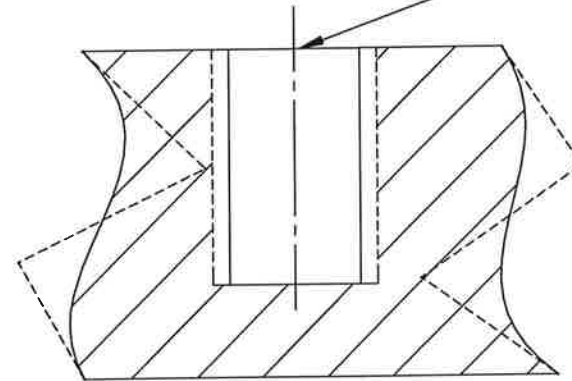
THE INFORMATION CONTAINED IN THIS DRAWING IS THE SOLE PROPERTY OF DYTRAN INSTRUMENTS INC. ANY REPRODUCTION IN PART OR AS A WHOLE WITHOUT THE WRITTEN PERMISSION OF DYTRAN INSTRUMENTS INC. IS PROHIBITED

REVISIONS

REV	ECN	DESCRIPTION	BY/DATE	CHK	APPR
B	12932	REDRAWN IN SOLIDWORKS	RA, 09/09/16	En	W



MOUNTING RECOMENDATIONS: PREPARE FLAT MOUNTING SURFACE $\phi .50$ [12.7] MIN, FLAT TO $.001$ TIR. DRILL AND TAP 10-32 UNF-2B $\nabla .15$ [3.8] MIN. RECOMMENDED MOUNTING TORQUE: 15 LB IN $\pm 0/-5$ LB IN



- ARROW INDICATES SENSE AND DIRECTION OF ACCELERATION FOR POSITIVE - GOING OUTPUT SIGNAL
- PREPARE FLAT SURFACE TO THIS DIA. WITH A FINISH OF $\nabla 63$ OR BETTER AND FLAT TO $.001$ TIR.
- PREPARE MOUNTING SURFACE AS SHOWN. APPLY A LAYER OF SILICONE GREASE TO MOUNTING SURFACE. TORQUE IN PLACE WITH 15 LB-IN.

1. HOUSING MATERIAL: 316L STAINLESS STEEL

NOTES: UNLESS OTHERWISE SPECIFIED

UNLESS OTHERWISE SPECIFIED: INTERPRET DIM & TOL PER ASME Y14.5M - 1994. REMOVE BURRS. COUNTERSINK INTERNAL THDS 90° TO MAJOR DIA. CHAM EXT THDS 45° TO MINOR DIA. THD LENGTHS AND DEPTHS ARE FOR MIN FULL THDS. DIMENSIONS APPLY AFTER FINISHING.

ALL MACHINED SURFACES. TOTAL RUNOUT WITHIN .005. BREAK SHARP EDGES .005 TO .010. MACHINED FILLET RADII .005 TO .015. WELDING SYMBOLS PER AWS A2.4. ABBREVIATIONS PER MIL-STD-12.

DECIMALS		METRIC		ANGLES
.XX ±.03	X ±0.8			±1°
.XXX ±.010	.XX ±0.25			

APPROVALS		DATE
ORIG	NC	11/16/98
CHK	RA	08/26/03
APP	NC	08/26/03

DO NOT SCALE DRAWING

MASTER COPY ONLY IF IN RED
DYTRAN INSTRUMENTS, INC.
 Chatsworth, CA

TITLE: **OUTLINE/INSTALLATION DRAWING, MODEL 3030C1**

SIZE B	CAGE CODE 2W033	DWG NO 127-3030C1	REV B
---------------	------------------------	--------------------------	--------------

SCALE: 2:1 SHEET 1 OF 1

MODEL NUMBER 3030C1	PERFORMANCE SPECIFICATION	DOC NO. PS3030C1
Accelerometer, Charge Mode		REV C, ECN 12932, 09/14/16



- HERMETICALLY SEALED
- ROBUST DESIGN
- LIGHTWEIGHT

PHYSICAL

Weight
Connector [1]
Housing
Mounting Provision
Sensing Element

Type
Material
Material
Stud
Material
Mode

ENGLISH		SI	
0.24	oz	7.2	grams
10-32		10-32	
300 Series S.S.		300 Series S.S.	
17-4 PH		17-4 PH	
10-32 UNF-2A		10-32 UNF-2A	
Ceramic		Ceramic	
Compression		Compression	

PERFORMANCE

Sensitivity, +30%/-10% [2]
Acceleration Range
Frequency Range
Resonance Frequency
Linearity [4]
Transverse Sensitivity Max

0.40	pC/g	0.04	pC/m/s ²
[3]	Gpeak	[3]	m/s ² peak
[5] to 5000	Hz	[5] to 5000	Hz
30	kHz	30	kHz
±1	%	±1	%
5	%	5	%

ENVIRONMENTAL

Shock Max
Vibration Max
Operating Temperature
Seal

3000	g pk	29430	m/s ²
1000	g pk	9810	m/s ²
-148 to +500	°F	-100 to +260	°C
Hermetic		Hermetic	

ELECTRICAL

Capacitance, nom

126	pF	126	pF
-----	----	-----	----

This family also includes:

Model	Sensitivity (pC/g)	Range (Gpeak)	Resolution (Grms)	Oper. Temp(°F)

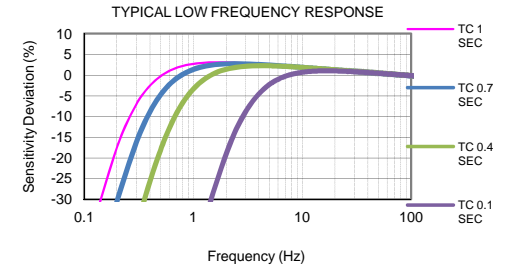
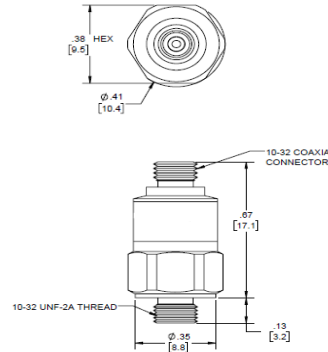
Please, refer to the performance specifications of the products in this family for detailed description

Supplied Accessories:

- 1) Accredited Calibration Certificate (ISO 17025)

Notes:

- [1] Mates with Dytran cable Model 6013AXX or 6019AXX (XX= Length in feet).
- [2] Measured At 100 Hz, 1 Grms per ISA RP37.2.
- [3] Depends on the gain setting of the charge amplifier used
- [4] Measured using zero-based best straight line method, % of F.S. or any lesser calibrated range.
- [5] Low frequency response is dependent upon the discharge time constant of the charge amplifier.
Please, refer to plot below for frequency response for different time constants.



Units on the line drawing are in inches, units in brackets are in millimeters. Refer to 127-3030C1 for more



21592 Marilla Street, Chatsworth, California 91311 Phone: 818.700.7818 Fax: 818.700.7880
www.dytran.com For permission to reprint this content, please contact info@dytran.com