

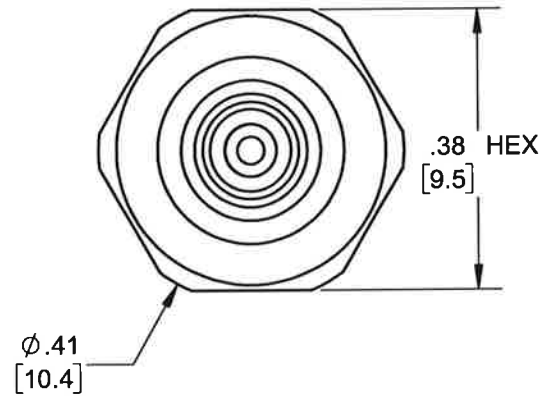
PROPRIETARY AND CONFIDENTIAL

THE INFORMATION CONTAINED IN THIS DRAWING IS THE SOLE PROPERTY OF DYTRAN INSTRUMENTS INC. ANY REPRODUCTION IN PART OR AS A WHOLE WITHOUT THE WRITTEN PERMISSION OF DYTRAN INSTRUMENTS INC. IS PROHIBITED

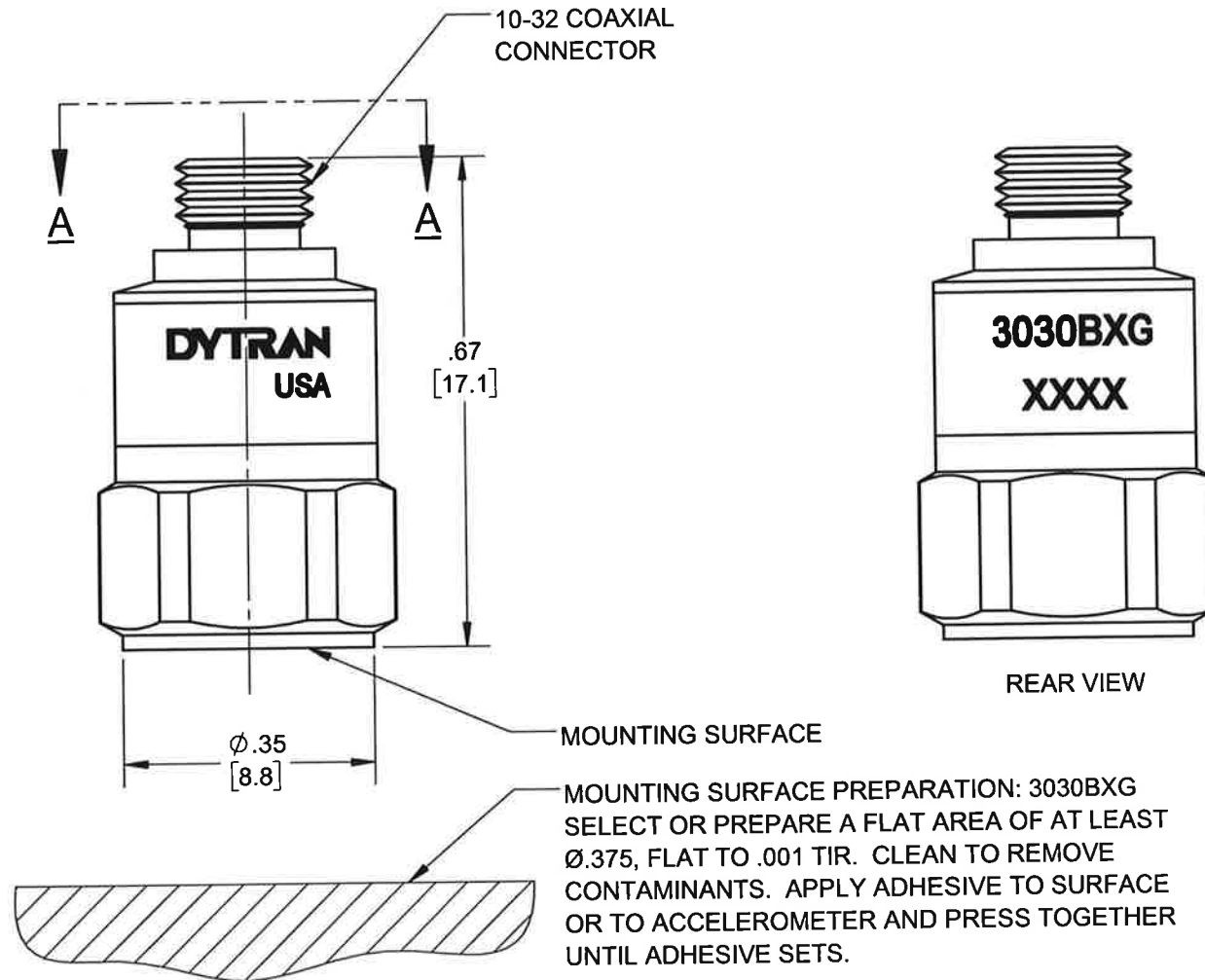
REVISIONS

REV	ECN	DESCRIPTION	BY/DATE	CHK	APPR
B	12932	REDRAWN IN SOLIDWORKS	RA, 09/09/16	Em	W

MODEL	REV	ECN	DATE	SENSITIVITY
3030B4G	B	12932	09/12/16	10mV/G
3030B5G	B	12932	09/12/16	10mV/G



VIEW A-A
SCALE 4 : 1



2 ARROW INDICATES SENSE AND DIRECTION OF ACCELERATION FOR POSITIVE - GOING OUTPUT SIGNAL

1. HOUSING MATERIAL: 316L STAINLESS STEEL

NOTES: UNLESS OTHERWISE SPECIFIED

UNLESS OTHERWISE SPECIFIED:
 INTERPRET DIM & TOL PER ASME Y14.5M - 1994.
 REMOVE BURRS.
 COUNTERSINK INTERNAL THDS 90° TO MAJOR DIA.
 CHAM EXT THDS 45° TO MINOR DIA.
 THD LENGTHS AND DEPTHS ARE FOR MIN FULL THDS.
 DIMENSIONS APPLY AFTER FINISHING.

ALL MACHINED SURFACES.
 TOTAL RUNOUT WITHIN .005.
 BREAK SHARP EDGES .005 TO .010.
 MACHINED FILLET RADII .005 TO .015.
 WELDING SYMBOLS PER AWS A2.4.
 ABBREVIATIONS PER MIL-STD-12.

UNLESS OTHERWISE SPECIFIED:
 DIMENSIONS ARE IN INCHES.
 DIMENSIONS IN BRACKETS [] ARE IN MILLIMETERS TOLERANCES ARE:

DECIMALS	METRIC	ANGLES
.XX ±.03	.X ± 0.8	±1°
.XXX ±.010	.XX ±0.25	

APPROVALS		DATE
ORIG	NC	11/19/10
CHK	JS	11/19/10
APP	DV	11/22/10

DO NOT SCALE DRAWING

MASTER COPY ONLY IF IN RED
 DYTRAN INSTRUMENTS, INC. Chatsworth, CA

TITLE: **OUTLINE/INSTALLATION DRAWING, MODEL SERIES 3030BG**

SIZE B	CAGE CODE 2W033	DWG NO 127-3030B5G	REV B
---------------	------------------------	---------------------------	--------------

SCALE: 2:1 SHEET 1 OF 1

Model Number 3030B5G	PERFORMANCE SPECIFICATION	DOC NO PS3030B5G
MINIATURE IEPE ACCELEROMETER		REV C, ECN 12932, 09/14/16



- MINIATURE SIZE
- EXCELLENT LINEARITY
- HERMETICALLY SEALED

PHYSICAL

Weight
Size
Connector
Mounting Provision
Material
Element Style

Hex x Height
Top Mounted
Accelerometer and Connector

ENGLISH		SI	
0.25	oz	7.2	grams
0.375 x 0.67	Inches	9.525 x 17.01	mm
10-32 Micro Coax		10-32 Micro Coax	
Adhesive Mount		Adhesive Mount	
17-4 PH/ 304L		17-4 PH/ 304L	
Quartz Compression		Quartz Compression	

PERFORMANCE

Sensitivity, ±5% [1]
Range F.S for ± 5 Volts Output
Frequency Response, ±5%
Resonant Frequency, Nom
Equivalent Electrical Noise Floor
Linearity [2]
Maximum Transverse sensitivity
Strain Sensitivity @ 250µε

10	mV/g	1	mV/m/s ²
±500	g	±4905	m/s ²
5 to 10000	Hz	5 to 10000	Hz
30	kHz	30	kHz
0.0036	Grms	0.0353	m/s ² rms
± 1%	% F.S.	± 1%	% F.S.
5	%	5	%
0.003	g/µε	0.03	m/s ² /µε

ENVIRONMENTAL

Maximum Vibration
Maximum Shock
Temperature Range
Seal, Hermetic

±1000	Gpeak	±9810	m/s ² peak
±3000	Gpeak	±29430	m/s ² peak
-60 to +250	°F	-51 to +121	°C
Welded/Glass To Metal		Welded/Glass To Metal	

ELECTRICAL

Supply Current Range [3]
Compliance Voltage Range
Output Impedance, Typ
Bias Voltage
Discharge Time Constant

2 to 20	mA	2 to 20	mA
+ 18 to +30	Volts	+ 18 to +30	Volts
100	Ω	100	Ω
7.5 to 11	VDC	7.5 to 11	VDC
0.1 to 0.3	Sec	0.1 to 0.3	Sec

This family also includes:

Model	Sensitivity (mV/g)	Frequency Response (Hz)	Time Constant (Sec)	Operating Temp (°F)
3030B4G	10	2 to 10000	0.5 to 1	-60 to +250

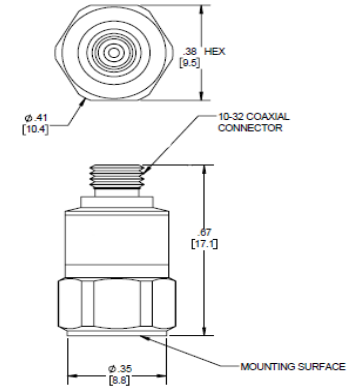
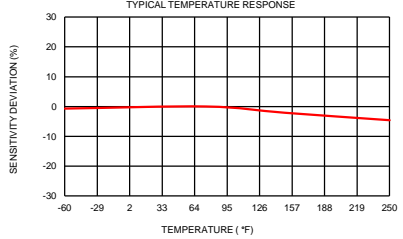
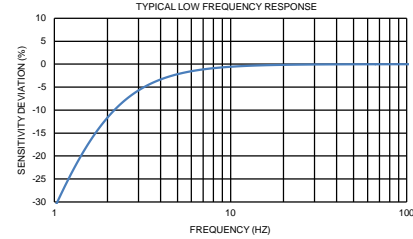
Please refer to the performance specifications of the products in this family for detailed description

Supplied Accessories:

- 1) Accredited calibration certificate (ISO 17025)

Notes:

- [1] Measure at 100Hz, 1 Grms per ISA RP 37.2
- [2] Measure using zero-based straight line method, % of F.S. or any lesser range.
- [3] Do not apply power to this system without current limiting, 20 mA MAX. To do so will destroy the IC charge amplifier.
- [4] In the interest of constant product improvement, we reserve the right to change specifications without notice.



Units on the line drawing are in inches, units in brackets are in millimeters. Refer to 127-3030BG for more information.



21592 Marilla Street, Chatsworth, California 91311 Phone: 818.700.7818 Fax: 818.700.7880 www.dytran.com
For permission to reprint this content, please contact info@dytran.com