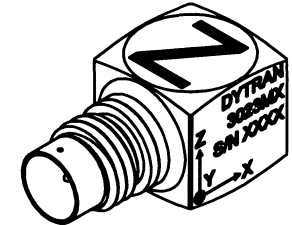
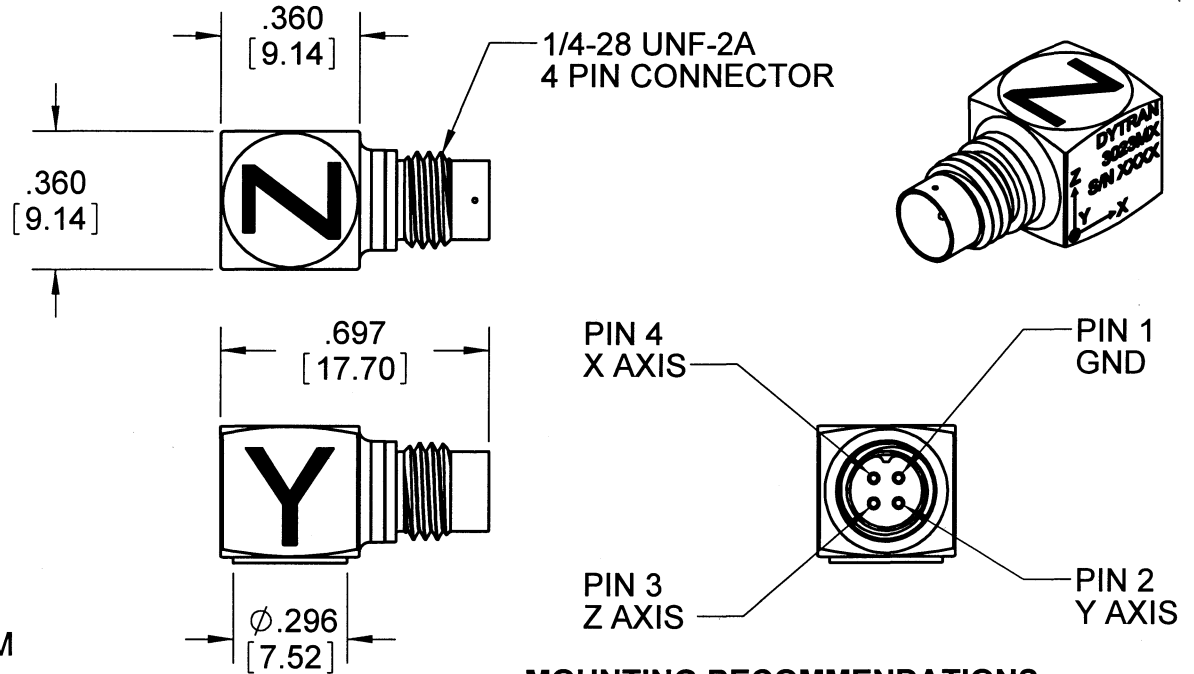


PROPRIETARY AND CONFIDENTIAL

THE INFORMATION CONTAINED IN THIS DRAWING IS THE SOLE PROPERTY OF DYTRAN INSTRUMENTS INC. ANY REPRODUCTION IN PART OR AS A WHOLE WITHOUT THE WRITTEN PERMISSION OF DYTRAN INSTRUMENTS, INC. IS PROHIBITED

REVISIONS

REV	ECN	DESCRIPTION	BY/DATE	CHK	APPR
A	5799	INITIAL RELEASE	02/19/09	<i>DW</i>	<i>AWs</i>



5. DIMENSIONS IN BRACKETS ARE IN MM
4. SENSITIVITY: 10mV/g
3. HOUSING/CONNECTOR MATERIAL: TITANIUM
2. ARROWS INDICATE DIRECTIONS OF ACCELERATION FOR POSITIVE OUTPUT
1. WEIGHT 3.0 GRAMS

MOUNTING RECOMMENDATIONS
 PREPARE A SURFACE AT LEAST .300 BY .300. SURFACE FLATNESS MUST BE EQUAL OR BETTER THAN .0001 TIR.
 USE ONE DROP OF CYANOACRYLATE TO MOUNT THE ACCELEROMETER.

NOTES

UNLESS OTHERWISE SPECIFIED: INTERPRET DIM & TOL PER ASME Y14.5M - 1994. REMOVE BURRS. COUNTERSINK INTERNAL THDS 90° TO MAJOR DIA. CHAM EXT THDS 45° TO MINOR DIA. THD LENGTHS AND DEPTHS ARE FOR MIN FULL THDS. THDS PER MIL-S-7742. DIMENSIONS APPLY AFTER FINISHING.		UNLESS OTHERWISE SPECIFIED: DIMENSIONS ARE IN INCHES. TOLERANCES ARE: DECIMALS ANGLES .XX ± .010 ± 1° .XXX ± .005		CONTRACT NO.				MASTER ONLY IF IN RED	
APPLICATION THIRD ANGLE PROJECTION USA		MATERIAL		APPROVALS		DATE		TITLE: OUTLINE/INSTALLATION DRAWING DRAWING 3023M27	
ALL MACHINED SURFACES. TOTAL RUNOUT WITHIN .005. BREAK SHARP EDGES .005 TO .010. MACHINED FILLET RADII .005 TO .015. WELDING SYMBOLS PER AWS A2.4. ABBREVIATIONS PER MIL-STD-12.		FINISH		ORG JLS 02/19/09		SIZE CAGE CODE DWG. NO.		REV	
		DO NOT SCALE DRAWING		CHK <i>DW</i> 2/19/09		A 2W033 127-3023M27		A	
				APP <i>AWs</i> 2/20/09		SCALE: 1:1 SOLIDWORKS		SHEET 1 OF 1	

MODEL NUMBER 3023M27	PERFORMANCE SPECIFICATION	DOC NO. PS3023M27
	ACCELEROMETER, TRIAXIAL, IEPE	REV G, ECN 13417, 04/20/17



- HIGH TEMPERATURE
- HERMETICALLY SEALED
- MINIATURE SIZE

PHYSICAL

Weight
Mounting
Connector [1]
Material, Housing / Connector

ENGLISH			SI	
0.11	oz		3.0	grams
Adhesive			Adhesive	
4-pin			4-pin	
Titanium			Titanium	

PERFORMANCE

Sensitivity, -10 /+15% [2]
Range F.S. (each axis)
Frequency Response, -5 /+15%
Element Natural Frequency
Equivalent Electrical Noise
Spectral Noise

	ENGLISH		SI	
Sensitivity	10	mV/g	1	mV/m/s ²
Range	±500	g	± 4905	m/s ²
Frequency Response	1.2 to 10000	Hz	1.2 to 10000	Hz
Element Natural Frequency	30	kHz	30	kHz
Equivalent Electrical Noise	0.007	Grms	0.069	m/s ² rms
Spectral Noise	1.25Hz	Grms/v(Hz)	0.029	m/s ² rms/v(Hz)
	10Hz	Grms/v(Hz)	0.010	m/s ² rms/v(Hz)
	100Hz	Grms/v(Hz)	0.0020	m/s ² rms/v(Hz)
	1000Hz	Grms/v(Hz)	0.00049	m/s ² rms/v(Hz)
	10000Hz	Grms/v(Hz)	0.00039	m/s ² rms/v(Hz)
Linearity [3]	1	%F.S.	1	%F.S.
Transverse Sensitivity Max	6	%	6	%
Signal Polarity	[5]		[5]	

ENVIRONMENTAL

Maximum Shock
Maximum Vibration
Temperature Range
Environmental Seal [6]
Coefficient of Thermal Sensitivity

	ENGLISH		SI	
Maximum Shock	5000	g pk	49050	m/s ²
Maximum Vibration	±600	g pk	±5880	m/s ²
Temperature Range	-60 to +250	°F	-51 to +121	°C
Environmental Seal [6]	Hermetic		Hermetic	
Coefficient of Thermal Sensitivity	0.03	% / °F	0.06	% / °C

ELECTRICAL

Supply Current Range [4]
Compliance Voltage Range
Output Impedance, Typ.
Output Bias Voltage
Discharge Time Constant

	ENGLISH		SI	
Supply Current Range [4]	2 to 20	mA	2 to 20	mA
Compliance Voltage Range	+18 to +30	VDC	+18 to +30	VDC
Output Impedance, Typ.	100	Ω	100	Ω
Output Bias Voltage	+7 to +9	VDC	+7 to +9	VDC
Discharge Time Constant	0.2 to 1.0	sec	0.2 to 1.0	sec

This family also includes:

Model	Sensitivity (mV/g)	Range (Gpeak)	Resolution (grms)	Oper. Temp (°F)	TC (sec.)
3023A5	1	5000	0.08	250	0.2 to 1.0

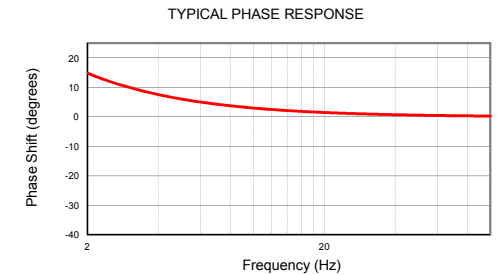
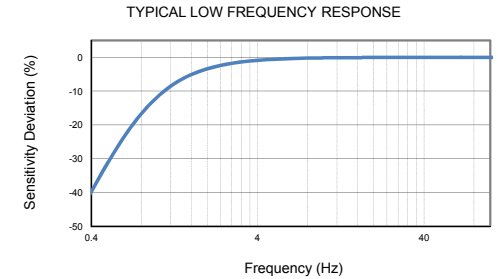
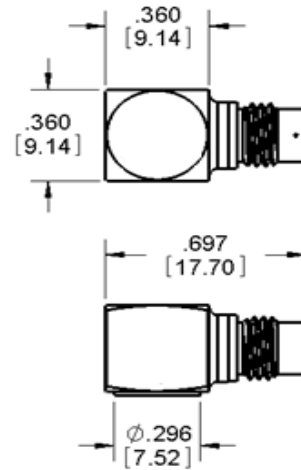
Refer to the performance specifications of the products in this family for detailed description.

Supplied Accessories:

- 1) Accredited Calibration Certificate (ISO 17025)
- 2) Model 6200 Mounting Stud, Qty 1.

Notes:

- [1] Connector mates with Dytran cable assy. Model 6811AXX. (xx = length in feet)
- [2] Measured At 100 Hz, 1 Grms per ISA RP 37.2
- [3] Measured using zero-based best straight-line method, % of F.S. or any lesser range.
- [4] Power only with Dytran IEPE power unit or other Dytran-compatible constant current type power unit. If power is applied without current limiting protection, the internal amplifier will be destroyed.
- [5] Positive for motion in direction of arrows on housing.
- [6] Low outgassing, use with Dytran cable assembly model 6951AXX (XX=Length in feet)



Units on the line drawing are in inches, units in brackets are in millimeters. Refer to 127-3023M27 for more information.



21592 Marilla Street, Chatsworth, California 91311 Phone: 818.700.7818 Fax:818.700.7880
www.dytran.com For permission to reprint this content, please contact info@dytran.com