

**PROPRIETARY AND CONFIDENTIAL**

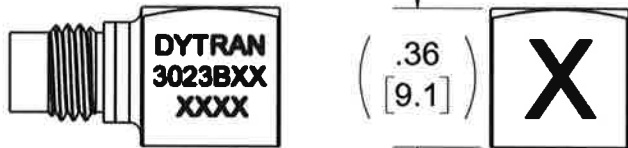
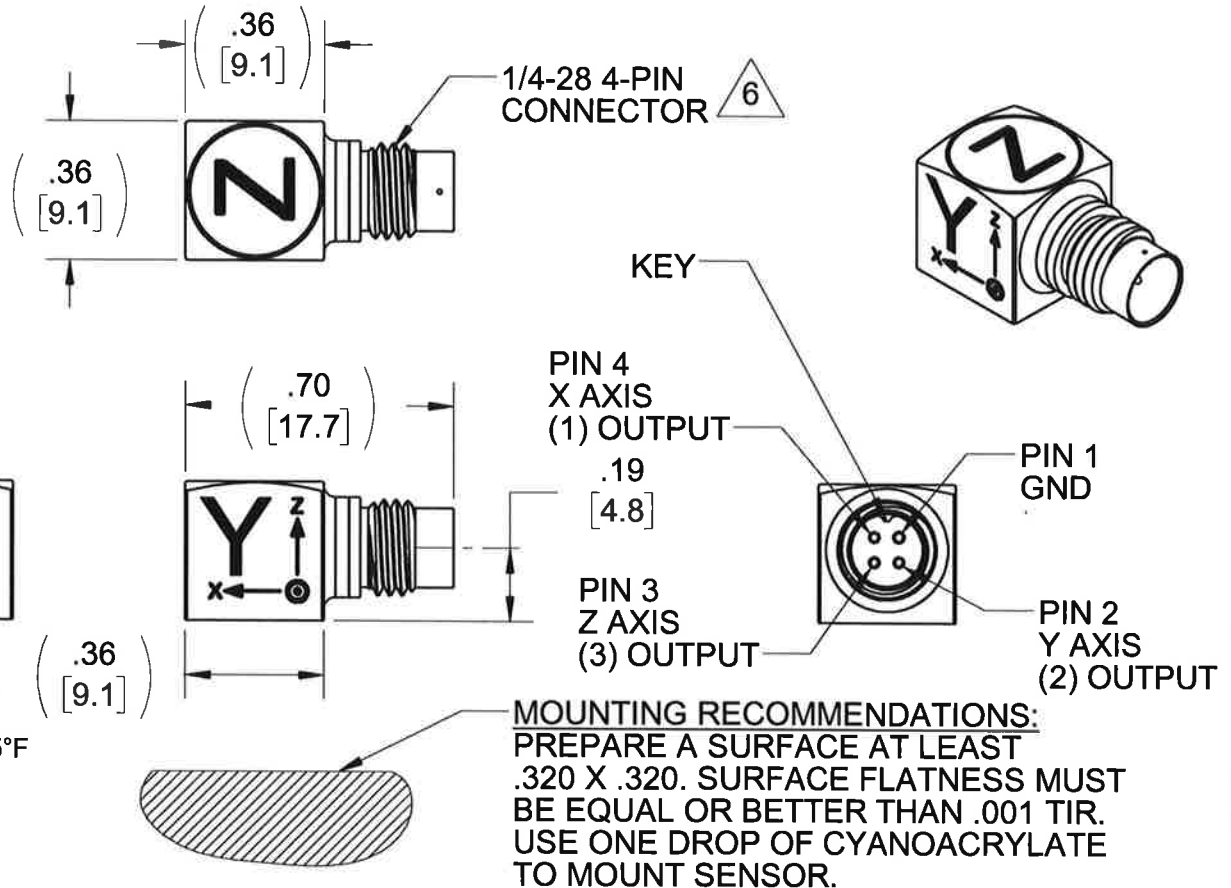
THE INFORMATION CONTAINED IN THIS DRAWING IS THE SOLE PROPERTY OF DYTRAN INSTRUMENTS INC. ANY REPRODUCTION IN PART OR AS A WHOLE WITHOUT THE WRITTEN PERMISSION OF DYTRAN INSTRUMENTS INC. IS PROHIBITED

**REVISIONS**

REV	ECN	DESCRIPTION	BY/DATE	CHK	APPR
A	13063	INITIAL RELEASE	JS 10/14/16	LA	LW

**VARIATION TABLE**

MODEL NO.	SENSITIVITY	TEDS
3023B1	1mV/g	NO
3023B2	5mV/g	NO
3023B3	10mV/g	NO
3023B1T	1mV/g	YES
3023B2T	5mV/g	YES
3023B3T	10mV/g	YES



- △ MATES WITH DYTRAN 6811AXX OR 6824AXX CABLE (XX=LENGTH IN FEET)
- OPERATIONAL TEMPERATURE: RANGE -60° TO +325°F
  - SENSITIVITY: SEE CHART.
  - WEIGHT: 3 GRAMS MAX.
  - ARROWS INDICATE ACCELERATION DIRECTION FOR POSITIVE OUTPUT
  - MATERIAL: TITANIUM ALLOY

NOTES: UNLESS OTHERWISE SPECIFIED.

USED ON	NEXT ASSY	APPLICATION	THIRD ANGLE PROJECTION USA
UNLESS OTHERWISE SPECIFIED: INTERPRET DIM & TOL PER ASME Y14.5M - 1994. REMOVE BURRS. COUNTERSINK INTERNAL THDS 90° TO MAJOR DIA. CHAM EXT THDS 45° TO MINOR DIA. THD LENGTHS AND DEPTHS ARE FOR MIN FULL THDS. THDS PER MIL-S-7742. DIMENSIONS APPLY AFTER FINISHING.			UNLESS OTHERWISE SPECIFIED: DIMENSIONS ARE IN INCHES. DIMENSIONS IN BRACKETS [ ] ARE IN MILLIMETERS TOLERANCES ARE: INCHES    METRIC    ANGLES .XX ± .03    .X ± 0.8    ± 1° .XXX ± .010    .XX ± 0.25
ALL MACHINED SURFACES. TOTAL RUNOUT WITHIN .005. BREAK SHARP EDGES .005 TO .010. MACHINED FILLET RADII .005 TO .015. WELDING SYMBOLS PER AWS A2.4. ABBREVIATIONS PER MIL-STD-12.			MATERIAL FINISH DO NOT SCALE DRAWING

CONTRACT NO.		APPROVALS		DATE
ORIG	NDC	03/11/14		
CHK	LA	11/4/16		
APP	LW	11/10/16		

**DYTRAN INSTRUMENTS, INC.** MASTER ONLY IF IN RED Chatsworth, CA

TITLE: **OUTLINE/INSTALLATION DRAWING, MODEL 3023B SERIES**

SIZE	CAGE CODE	DWG. NO.	REV
<b>A</b>	<b>2W033</b>	<b>127-3023B1</b>	<b>A</b>

SCALE: NONE      SOLIDWORKS      SHEET 1 OF 1

<b>MODEL NUMBER</b> <b>3023B3T</b>	<b>PERFORMANCE SPECIFICATION</b>	<b>DOC NO.</b> <b>PS3023B3T</b>
	<b>ACCELEROMETER, TRIAXIAL, IEPE</b>	REV B, ECN 13594, 8/10/17



- **HIGH TEMPERATURE**
- **HERMETICALLY SEALED**
- **MINIATURE SIZE**
- **TEDS FEATURE**

**PHYSICAL**

Weight, Max.  
Mounting  
Connector [1]  
Material, Housing / Connector

ENGLISH			SI	
0.105	oz		3.0	grams
Adhesive			Adhesive	
4-pin			4-pin	
Titanium			Titanium	

**PERFORMANCE**

Sensitivity, -10% / +15% [2]  
Range F.S. (each axis)  
Frequency Response,  $\pm 5\%$   
                                   $\pm 15\%$   
Element Natural Frequency  
Equivalent Electrical Noise  
Spectral Noise  
  
Linearity [3]  
Transverse Sensitivity, Max.  
Signal Polarity

10	mV/g		1.02	mV/m/s <sup>2</sup>
$\pm 500$	g		$\pm 4905$	m/s <sup>2</sup>
2.5 to 4000	Hz		2.5 to 4000	Hz
2 to 10000	Hz		2 to 10000	Hz
25	kHz		25	kHz
0.007	grms		0.07	m/s <sup>2</sup> rms
1.25Hz	244	$\mu$ Grms/v(Hz)	2394	$\mu$ m/s <sup>2</sup> rms/v(Hz)
10Hz	244	$\mu$ Grms/v(Hz)	2394	$\mu$ m/s <sup>2</sup> rms/v(Hz)
100Hz	61	$\mu$ Grms/v(Hz)	598	$\mu$ m/s <sup>2</sup> rms/v(Hz)
1000Hz	23	$\mu$ Grms/v(Hz)	226	$\mu$ m/s <sup>2</sup> rms/v(Hz)
10000Hz	8.7	$\mu$ Grms/v(Hz)	85	$\mu$ m/s <sup>2</sup> rms/v(Hz)
$\pm 1$	% F.S.		$\pm 1$	% F.S.
5	%		5	%
[5]			[5]	

**ELECTRICAL**

Supply Current Range [4]  
Compliance Voltage Range  
Output Impedance, Typ.  
Output Bias Voltage  
Discharge Time Constant  
Magnetic Sens. at 100 Gauss  
Strain Sensitivity @ 250 $\mu$  $\epsilon$   
Ground Isolation

2 to 20	mA		2 to 20	mA
+18 to +30	VDC		+18 to +30	VDC
100	$\Omega$		100	$\Omega$
7 to 12	VDC		7 to 12	VDC
0.2 - 2.0	sec		0.2 - 2.0	sec
0.00005	g/Gauss		4.905	m/s <sup>2</sup> /T
0.024	g/ $\mu$ $\epsilon$		0.24	m/s <sup>2</sup> / $\mu$ $\epsilon$
Case Ground			Case Ground	

**ENVIRONMENTAL**

Maximum Shock  
Maximum Vibration  
Temperature Range  
TEDS Operating Temp.  
Environmental Seal  
TEDS

$\pm 1000$	g pk		$\pm 9810$	m/s <sup>2</sup>
$\pm 600$	g pk		$\pm 5886$	m/s <sup>2</sup>
-60 to +325	$^{\circ}$ F		-51 to +162	$^{\circ}$ C
-40 to +185	$^{\circ}$ F		-40 to +85	$^{\circ}$ C
Hermetic			Hermetic	
IEEE 1451.4			IEEE 1451.4	

**This family also includes:**

Model	Sensitivity (mV/g)	Range (Gpeak)	Resolution (Grms)	Oper. Temp ( $^{\circ}$ F)	TC
3023B1	1	5000	0.07	-60 to +325	0.2 to 2.0
3023B2	5	1000	0.014	-60 to +325	0.2 to 2.0
3023B3	10	500	0.007	-60 to +325	0.2 to 2.0
3023B1T	1	5000	0.07	-60 to +325	0.2 to 2.0
3023B2T	5	1000	0.014	-60 to +325	0.2 to 2.0

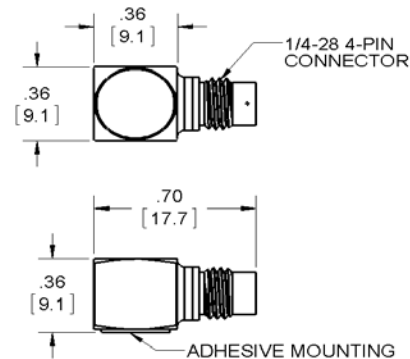
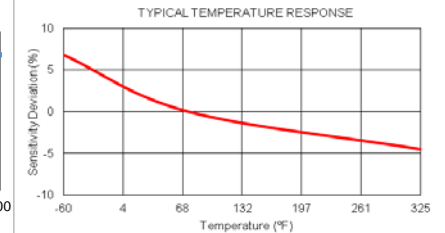
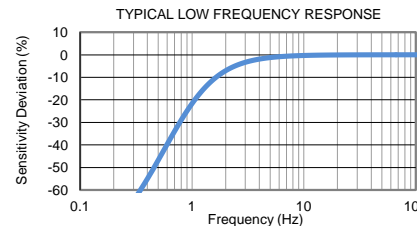
Please, refer to the performance specifications of the products in this family for detailed description

**Supplied Accessories:**

- 1) Accredited Calibration Certificate (ISO 17025)

**Notes:**

- [1] Connector mates with Dytran's cable assy. model 6811AXX or 6824AXX. (xx = length in feet)
- [2] Measured At 100 Hz, 1 Grms per ISA RP 37.2
- [3] Measured using zero-based best straight-line method, % of F.S. or any lesser range.
- [4] Power only with Dytran IEPE power unit or other Dytran-compatible constant current type power unit. If power is applied without current limiting protection, the internal amplifier will be destroyed.
- [5] Positive for motion in direction of arrows on housing.
- [6] In the interest of constant product improvement, we reserve the right to change the specification without notice.



Units on the line drawing are in inches, units in brackets are in millimeters. Refer to 127-3023B1 for more information.



21592 Marilla Street, Chatsworth, California 91311 Phone: 818.700.7818 Fax:818.700.7880  
www.dytran.com For permission to reprint this content, please contact info@dytran.com