

PROPRIETARY AND CONFIDENTIAL

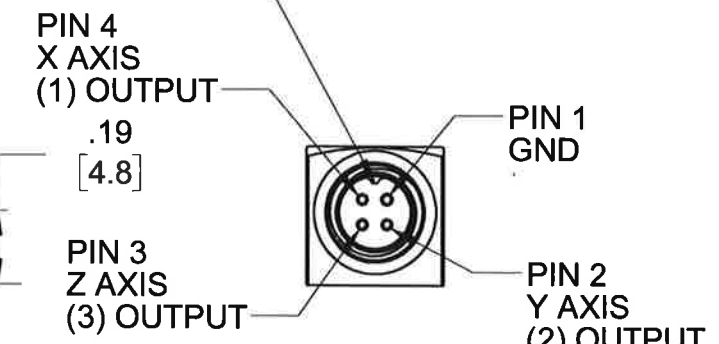
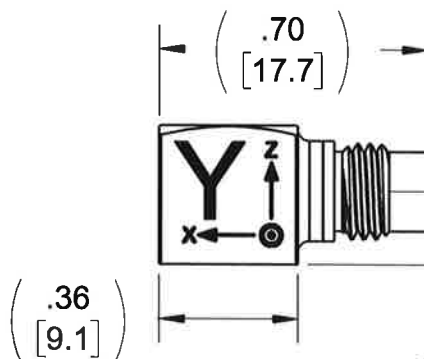
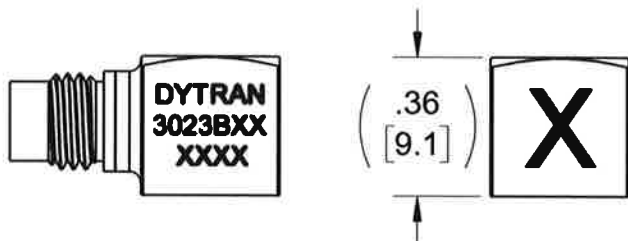
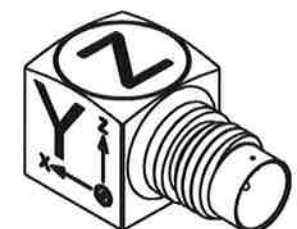
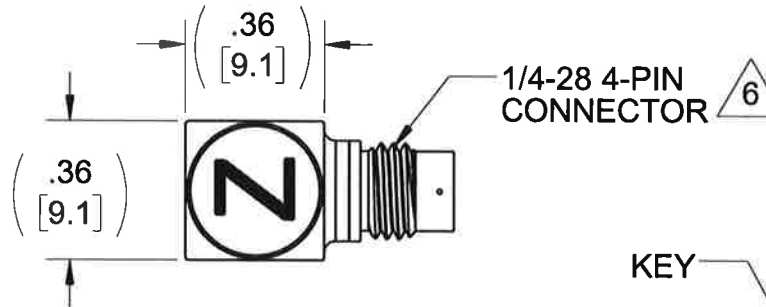
THE INFORMATION CONTAINED IN THIS DRAWING IS THE SOLE PROPERTY OF DYTRAN INSTRUMENTS INC. ANY REPRODUCTION IN PART OR AS A WHOLE WITHOUT THE WRITTEN PERMISSION OF DYTRAN INSTRUMENTS INC. IS PROHIBITED

REVISIONS

REV	ECN	DESCRIPTION	BY/DATE	CHK	APPR
A	13063	INITIAL RELEASE	JS 10/14/16	LA	LW

VARIATION TABLE

MODEL NO.	SENSITIVITY	TEDS
3023B1	1mV/g	NO
3023B2	5mV/g	NO
3023B3	10mV/g	NO
3023B1T	1mV/g	YES
3023B2T	5mV/g	YES
3023B3T	10mV/g	YES



MOUNTING RECOMMENDATIONS:
PREPARE A SURFACE AT LEAST .320 X .320. SURFACE FLATNESS MUST BE EQUAL OR BETTER THAN .001 TIR. USE ONE DROP OF CYANOACRYLATE TO MOUNT SENSOR.

- 6 MATES WITH DYTRAN 6811AXX OR 6824AXX CABLE (XX=LENGTH IN FEET)
- OPERATIONAL TEMPERATURE: RANGE -60° TO +325°F
 - SENSITIVITY: SEE CHART.
 - WEIGHT: 3 GRAMS MAX.
 - ARROWS INDICATE ACCELERATION DIRECTION FOR POSITIVE OUTPUT
 - MATERIAL: TITANIUM ALLOY

NOTES: UNLESS OTHERWISE SPECIFIED.

USED ON	UNLESS OTHERWISE SPECIFIED: INTERPRET DIM & TOL PER ASME Y14.5M - 1994. REMOVE BURRS. COUNTERSINK INTERNAL THDS 90° TO MAJOR DIA. CHAM EXT THDS 45° TO MINOR DIA. THD LENGTHS AND DEPTHS ARE FOR MIN FULL THDS. THDS PER MIL-S-7742. DIMENSIONS APPLY AFTER FINISHING.	UNLESS OTHERWISE SPECIFIED: DIMENSIONS ARE IN INCHES. DIMENSIONS IN BRACKETS [] ARE IN MILLIMETERS TOLERANCES ARE: INCHES METRIC ANGLES .XX ± .03 .X ± 0.8 ± 1° .XXX ± .010 .XX ± 0.25	CONTRACT NO.	
	APPROVALS		DATE	
NEXT ASSY	MATERIAL	ORIG	NDC	03/11/14
APPLICATION	FINISH	CHK	LA	11/4/16
THIRD ANGLE PROJECTION USA	ALL MACHINED SURFACES. TOTAL RUNOUT WITHIN .005. BREAK SHARP EDGES .005 TO .010. MACHINED FILLET RADII .005 TO .015. WELDING SYMBOLS PER AWS A2.4. ABBREVIATIONS PER MIL-STD-12.	APP	LW	11/10/16
	63	APP		
	DO NOT SCALE DRAWING			

DYTRAN INSTRUMENTS, INC. MASTER ONLY IF IN RED Chatsworth, CA

TITLE: **OUTLINE/INSTALLATION DRAWING, MODEL 3023B SERIES**

SIZE	CAGE CODE	DWG. NO.	REV
A	2W033	127-3023B1	A

SCALE: NONE SOLIDWORKS SHEET 1 OF 1

MODEL NUMBER 3023B2	PERFORMANCE SPECIFICATION	DOC NO. PS3023B2
	ACCELEROMETER, TRIAXIAL, IEPE	REV A, ECN 13036, 11/07/16



- **HIGH TEMPERATURE**
- **HERMETICALLY SEALED**
- **MINIATURE SIZE**

PHYSICAL

Weight, Max.
Mounting
Connector [1]
Material, Housing / Connector

ENGLISH		SI	
0.105	oz	3.0	grams
Adhesive		Adhesive	
4-pin		4-pin	
Titanium		Titanium	

PERFORMANCE

Sensitivity, -10% / +15% [2]
Range F.S. (each axis)
Frequency Response, ±5%
, ±15%
Element Natural Frequency
Equivalent Electrical Noise
Spectral Noise
Linearity [3]
Transverse Sensitivity, Max.
Signal Polarity

ENGLISH		SI	
5	mV/g	0.51	mV/m/s ²
±1000	g	±49050	m/s ²
2.5 to 4000	Hz	2.5 to 4000	Hz
2 to 10000	Hz	2 to 10000	Hz
25	kHz	25	kHz
0.014	grms	0.14	m/s ² rms
1.25Hz	488 μGrms/v(Hz)	4787	μm/s ² rms/v(Hz)
10Hz	488 μGrms/v(Hz)	4787	μm/s ² rms/v(Hz)
100Hz	122 μGrms/v(Hz)	1197	μm/s ² rms/v(Hz)
1000Hz	46 μGrms/v(Hz)	451	μm/s ² rms/v(Hz)
10000Hz	17.4 μGrms/v(Hz)	171	μm/s ² rms/v(Hz)
±1	% F.S.	±1	% F.S.
5	%	5	%
[5]		[5]	

ELECTRICAL

Supply Current Range [4]
Compliance Voltage Range
Output Impedance, Typ.
Output Bias Voltage
Discharge Time Constant
Magnetic Sens. at 100 Gauss
Strain Sensitivity @ 250με
Ground Isolation

ENGLISH		SI	
2 to 20	mA	2 to 20	mA
+18 to +30	VDC	+18 to +30	VDC
100	Ω	100	Ω
7 to 12	VDC	7 to 12	VDC
0.2 - 2.0	sec	0.2 - 2.0	sec
0.00005	g/Gauss	4.905	m/s ² /T
0.024	g/με	0.24	m/s ² /με
Case Ground		Case Ground	

ENVIRONMENTAL

Maximum Shock
Maximum Vibration
Temperature Range
Environmental Seal

ENGLISH		SI	
±2000	g pk	±19620	m/s ²
±1200	g pk	±11772	m/s ²
-60 to +325	°F	-51 to +162	°C
Hermetic		Hermetic	

This family also includes:

Model	Sensitivity (mV/g)	Range (Gpeak)	Resolution (Grms)	Oper. Temp (°F)	TC
3023B1	1	5000	0.07	-60 to +325	0.2 to 2.0
3023B3	10	500	0.007	-60 to +325	0.2 to 2.0
3023B1T	1	5000	0.07	-60 to +325	0.2 to 2.0
3023B2T	5	1000	0.014	-60 to +325	0.2 to 2.0
3023B3T	10	500	0.007	-60 to +325	0.2 to 2.0

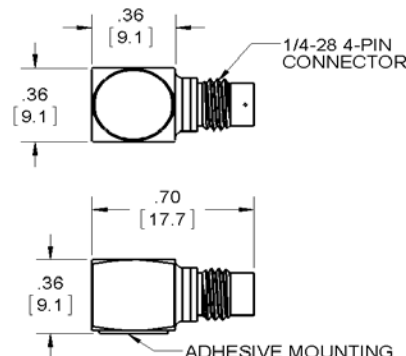
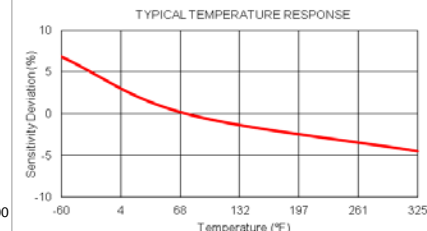
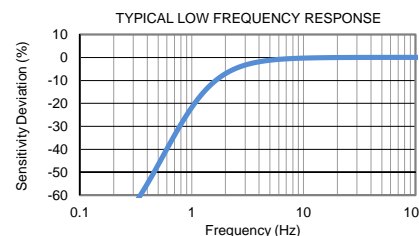
Please, refer to the performance specifications of the products in this family for detailed description

Supplied Accessories:

- 1) Accredited Calibration Certificate (ISO 17025)

Notes:

- [1] Connector mates with Dytran's cable assy. model 6811AXX or 6824AXX. (xx = length in feet)
- [2] Measured At 100 Hz, 1 Grms per ISA RP 37.2
- [3] Measured using zero-based best straight-line method, % of F.S. or any lesser range.
- [4] Power only with Dytran IEPE power unit or other Dytran-compatible constant current type power unit. If power is applied without current limiting protection, the internal amplifier will be destroyed.
- [5] Positive for motion in direction of arrows on housing.
- [6] In the interest of constant product improvement, we reserve the right to change the specification without notice.



Units on the line drawing are in inches, units in brackets are in millimeters. Refer to 127-3023B1 for more information.



21592 Marilla Street, Chatsworth, California 91311 Phone: 818.700.7818 Fax:818.700.7880
www.dytran.com For permission to reprint this content, please contact info@dytran.com