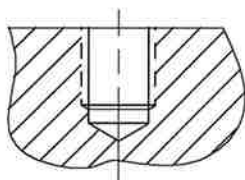
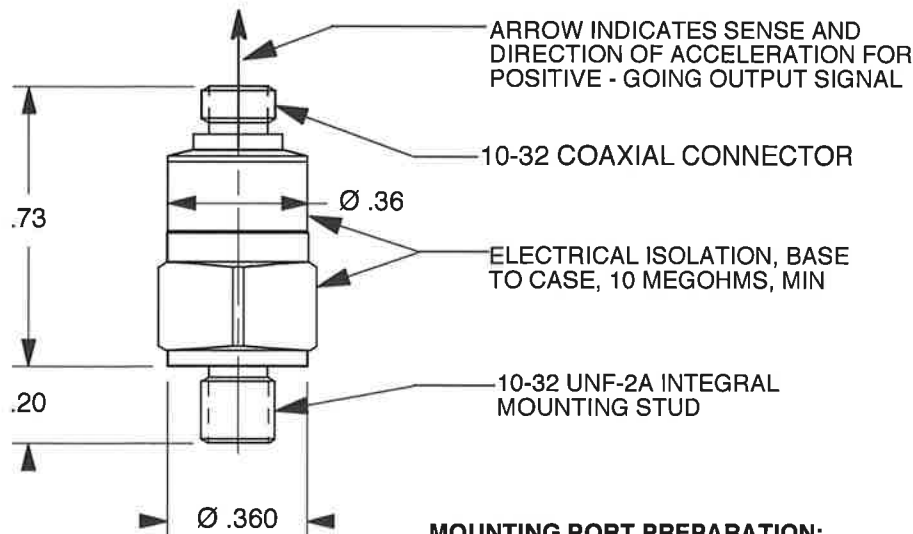
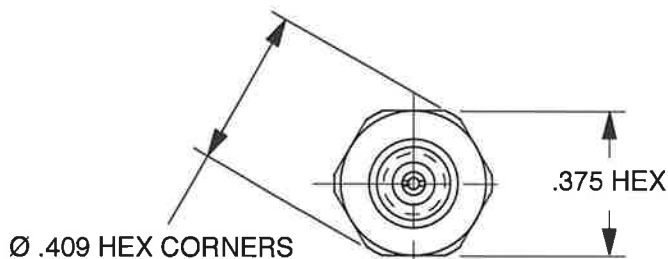


DYTRAN PROPRIETARY AND CONFIDENTIAL

THE INFORMATION CONTAINED IN THIS DRAWING IS THE SOLE PROPERTY OF DYTRAN INSTRUMENTS, INC. AND ANY REPRODUCTION IN PART OR AS A WHOLE OR ANY OTHER DISSEMINATION OF THIS INFORMATION WITHOUT THE WRITTEN PERMISSION OF DYTRAN INSTRUMENTS, INC. IS PROHIBITED.

REV	ECN	DESCRIPTION	BY/DATE	CHK	APPR
A	10476	REMOVED TIG WELD GROOVES	NC/11-7-13	EM	<i>Dr</i>



MOUNTING PORT PREPARATION:
 PREPARE FLAT SURFACE OF AT LEAST .360 DIA. WITH A FINISH OF $\sqrt{32}$ OR BETTER AND FLAT TO .001 TIR.
 AT CENTER OF FLAT AREA:
 DRILL Ø .159 X .35 DEEP MIN
 TAP 10-32 UNF-2B X .25 MIN DEPTH
 HOLE TO BE PERPENDICULAR WITHIN $\pm 1^\circ$

3. MATERIAL: 300 SERIES STAINLESS STEEL.
2. WEIGHT: 8 GRAMS.
1. RECOMMENDED MOUNTING TORQUE ON 3/8 IN. HEX: 20 TO 25 LB.-INCHES.

EXCEPT AS OTHERWISE NOTED


ALL DIMENSIONS IN INCHES
 TOLERANCE: .XXX = ± .XX = ±

SURFACE FINISH EXCEPT AS NOTED $\sqrt{32}$

BREAK EDGES TO DEBURR RADIUS OR CHAMFER

△ THESE DIAS \odot TO T.I.R.

FILLETS - MAX RAD.



MASTER ONLY IF IN RED

CHATSWORTH, CA.

SCALE	DESIGN	DATE				
2X	N.C.	1/24/02				
DRAWN	N.C.	DATE	PART NO.			
		1/24/02	MODEL 3019A1			
CHECKED	R.A.	DATE	MAT'L			REV
		1/24/02				A
APPROVED		DATE	NEXT ASSEMBLY		USED ON	
<i>Dr</i>		1/24/02			3019A1	
TITLE					DWG NO.	
OUTLINE/INSTALLATION DRAWING, HIGH FREQUENCY ACCELEROMETER MODEL 3019A1					127-3019A1	
SHEET 1 OF 1						

Model Number 3019A1	PERFORMANCE SPECIFICATION	DOC NO PS3019A1
MINIATURE IEPE ACCELEROMETER		REV B, ECN 15518, 01/10/20



- MINIATURE SIZE
- BASE ISOLATED
- HERMETICALLY SEALED

PHYSICAL

Weight
Size
Connector
Mounting Provision
Material
Element Style

Hex x Height
Top Mounted
Integral Stud
Accelerometer and Connector

ENGLISH		SI	
0.3	oz	8	grams
0.375 x 0.73	Inches	9.5 x 18.5	mm
10-32 Micro Coax		10-32 Micro Coax	
10-32 X .20 Long		10-32 X .20 Long	
300 SS		300 SS	
Quartz		Quartz	

PERFORMANCE

Sensitivity, ±5% [1]
Range F.S for ± 5 Volts Output
Frequency Response, ±5%
Frequency Response, ±10%
Frequency Response, ±3db
Resonant Frequency
Equivalent Electrical Noise Floor
Linearity [2]
Maximum Transverse Sensitivity
Strain Sensitivity @ 250µε

10	mV/g	1	mV/m/s ²
±500	g	±4905	m/s ²
1 to 8000	Hz	1 to 8000	Hz
0.7 to 10000	Hz	0.7 to 10000	Hz
.3 to 15000	Hz	.3 to 15000	Hz
>50	kHz	>50	kHz
0.007	grms	0.07	m/s ² rms
± 2%	% F.S.	± 2%	% F.S.
5	%	5	%
0.003	g/µε	0.03	m/s ² /µε

ENVIRONMENTAL

Maximum Vibration
Maximum Shock
Temperature Range
Seal, Hermetic

±1000	gpeak	±9810	m/s ² peak
±3000	gpeak	±29430	m/s ² peak
-60 to +300	*F	-51 to +149	*C
Welded/Glass To Metal		Welded/Glass To Metal	

ELECTRICAL

Supply Current Range [3]
Compliance Voltage Range
Output Impedance, Typ
Bias Voltage
Discharge Time Constant
Electrical Isolation, Min.
Output Signal Polarity for Acceleration Toward Top

2 to 20	mA	2 to 20	mA
+ 18 to +30	Volts	+ 18 to +30	Volts
100	Ω	100	Ω
+7.5 to +9.5	VDC	+7.5 to +9.5	VDC
0.5 to 1.0	Sec	0.5 to 1.0	Sec
10	MΩ	10	MΩ
Positive		Positive	

This family also includes:

Model	Sensitivity (mV/g)	Frequency Response (Hz)	Time Constant (Sec)	Operating Temp (*F)

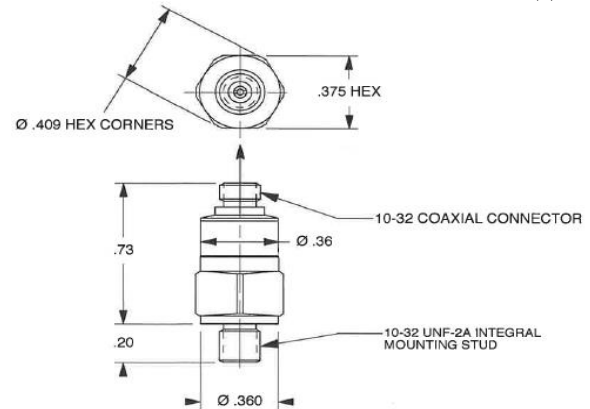
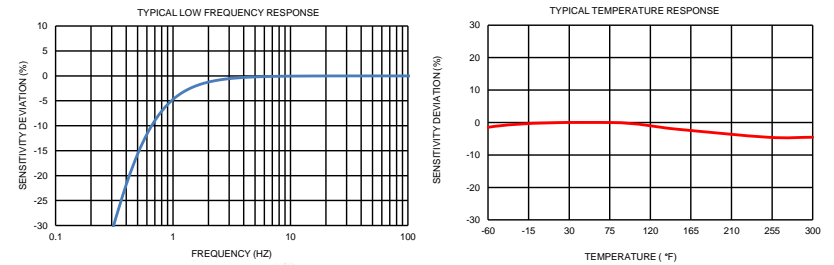
Please refer to the performance specifications of the products in this family for detailed description

Supplied Accessories:

- 1) Accredited calibration certificate (ISO 17025)

Notes:

- [1] Measure at 100Hz, 1 grms per ISA RP 37.2
 - [2] Measure using zero-based straight line method, % of F.S. or any lesser range.
 - [3] Do not apply power to this system without current limiting, 20 mA MAX. To do so will destroy the IC charge amplifier.
 - [4] In the interest of constant product improvement, we reserve the rights to change the specifications without notice.
- It is the customer's responsibility to validate that a particular product with the properties described in the product specification is suitable for use in a particular application. Parameters provided in datasheets and / or specifications may vary in different applications and performance may vary overtime. All operating parameters, including typical parameters, must be validated for each customer application by the customer's technical experts.



Units on the line drawing are in inches, units in brackets are in millimeters. Refer to 127-3019A1 for more information.



21592 Marilla Street, Chatsworth, California 91311 Phone: 818.700.7818 Fax: 818.700.7880 www.dytran.com
For permission to reprint this content, please contact info@dytran.com